

Ball Valves

Actuators

Pneumatic Actuators

Electric Actuators

Autoclave Engineers ball valves can be supplied with either pneumatic or electric operators for automated or remote operation.

Pneumatic and electric operators can be supplied with a variety of features and options. Operators are sized for each valve series to provide reliable and trouble free operation. Listed below are the operator features and available options.

AE Ball Valve Actuator Features/Options:

Pneumatic Operators

- Used for remote and automatic operation
- Air-to-open/spring-to-close
- Air-to-close/spring-to-open
- Air-to-open and close (double acting)
- Limit switches or limit switches with visual indicators available
- High temperature option available.
- Stainless steel housing for corrosive applications available.
- Optional solenoid valve available
- Standard anodized aluminum housing
- Optional epoxy coated housing available

Electric Operators

- Interface with control systems for automated operation and monitoring
- 120 & 220 VAC, 50/60 Hz standard
- 24VDC
- Explosion proof available
- CE mark available



**Autoclave
Engineers** 

Fluid Components
Division of Snap-tite, Inc.
www.autoclave.com

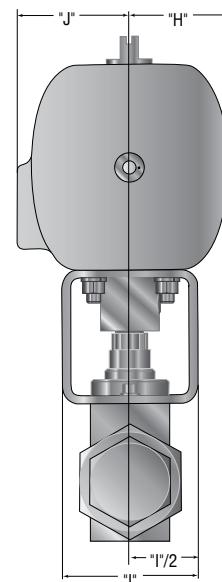
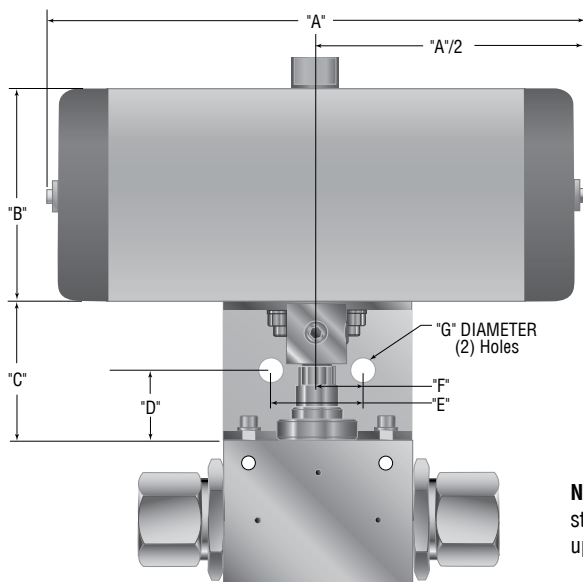
Pneumatic Operated Ball Valves

Add the suffix **-AO**, **-AC** or **-AOC** to the appropriate valve catalog number for a complete valve assembly

VALVE SERIES	DIMENSION DATA - Inches (mm)										MINIMUM REQUIRED
	"A"	"B"	"C"	"D"	"E"	"F"	"G"	"H"	"I"	"J"	AIR PRESSURE
2B4-AO/AC	6.69 (169.92)	2.56 (65.02)	2.50 (63.50)	1.25 (31.75)	1.00 (25.40)	0.50 (12.70)	0.28 (7.11)	1.14 (28.95)	2.50 (63.50)	1.58 (40.13)	80 psi (5.51 bar)
2B6-AO/AC	9.84 (249.93)	3.94 (100.07)	3.00 (76.20)	1.50 (38.10)	1.50 (25.40)	0.75 (19.05)	0.34 (8.63)	1.87 (47.49)	3.00 (76.20)	2.24 (56.89)	80 psi (5.51 bar)
2B8-AO/AC ★	11.65 (295.91)	4.57 (116.07)	3.00 (76.20)	1.50 (38.10)	2.00 (50.80)	1.00 (25.40)	0.53 (13.46)	2.17 (55.11)	3.00 (76.20)	2.48 (62.99)	80 psi (5.51 bar)
3BD3-AO/AC	6.69 (169.92)	2.56 (65.02)	2.50 (63.50)	1.25 (31.75)	1.00 (25.40)	0.50 (12.70)	0.28 (7.11)	1.14 (28.95)	2.50 (63.50)	1.58 (40.13)	80 psi (5.51 bar)
3BD6-AO/AC ★	9.84 (249.93)	3.94 (100.07)	3.00 (76.20)	1.50 (38.10)	1.50 (25.40)	0.75 (19.05)	0.34 (8.63)	1.87 (47.49)	3.00 (76.20)	2.24 (56.89)	80 psi (5.51 bar)
3BD8-AO/AC	11.65 (295.91)	4.57 (116.07)	3.00 (76.20)	1.50 (38.10)	2.00 (50.80)	1.00 (25.40)	0.53 (13.46)	2.17 (55.11)	3.00 (76.20)	2.48 (62.99)	80 psi (5.51 bar)
2B4-AOC	6.69 (169.92)	2.56 (65.02)	2.50 (63.50)	1.25 (31.75)	1.00 (25.40)	0.50 (12.70)	0.28 (7.11)	1.14 (28.95)	2.50 (63.50)	1.58 (40.13)	80 psi (5.51 bar)
2B6-AOC	7.95 (201.93)	3.07 (77.97)	3.00 (76.20)	1.50 (38.10)	1.50 (38.10)	0.75 (19.05)	0.34 (8.63)	1.40 (35.56)	3.00 (76.20)	1.77 (44.95)	80 psi (5.51 bar)
2B8-AOC	9.84 (249.91)	3.94 (100.07)	3.00 (76.20)	1.50 (38.10)	2.00 (50.80)	1.00 (25.40)	0.53 (13.46)	1.87 (47.49)	3.00 (76.20)	2.24 (56.89)	80 psi (5.51 bar)
3BD3-AOC	6.69 (169.92)	2.56 (65.02)	2.50 (63.50)	1.25 (31.75)	1.00 (25.40)	0.50 (12.70)	0.28 (7.11)	1.14 (28.95)	2.50 (63.50)	1.58 (40.13)	80 psi (5.51 bar)
3BD6-AOC	7.95 (201.93)	3.07 (77.97)	3.00 (76.20)	1.50 (38.10)	1.50 (25.40)	0.75 (19.05)	0.34 (8.63)	1.40 (35.56)	3.00 (76.20)	1.77 (44.95)	80 psi (5.51 bar)
3BD8-AOC	9.84 (249.91)	3.94 (100.07)	3.00 (76.20)	1.50 (38.10)	2.00 (50.80)	1.00 (25.40)	0.53 (13.46)	1.87 (47.49)	3.00 (76.20)	2.24 (56.89)	80 psi (5.51 bar)

- NOTE:
- Maximum allowable air pressure is 150 psi (10.34)
 - 1/8" NPT female air connector (* = 1/4" NPT)
 - AO: Air to open/spring to close
 - AC: Air to close/spring to open
 - AOC: Air to open/air to close (double acting)

- Actuators operating temperature: -20°F to 175°F (-29°C to 79°C)
- High temperature actuator option available, consult factory
- Stainless steel housing actuator models available, consult factory
- Actuators available with limit switches and visual indicators.
- Corrosion resistant anodized aluminum housing.
- Epoxy coated housing available.
- Solenoids available, direct or nipple mount.



NOTE: Operators 90° rotations standard. 180° options available upon request.

Ball Valves - Actuators

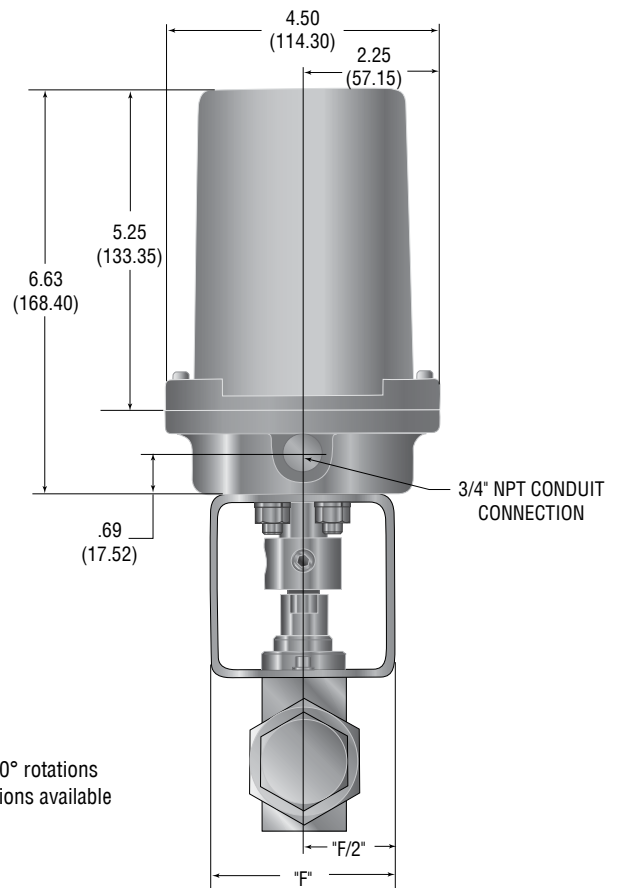
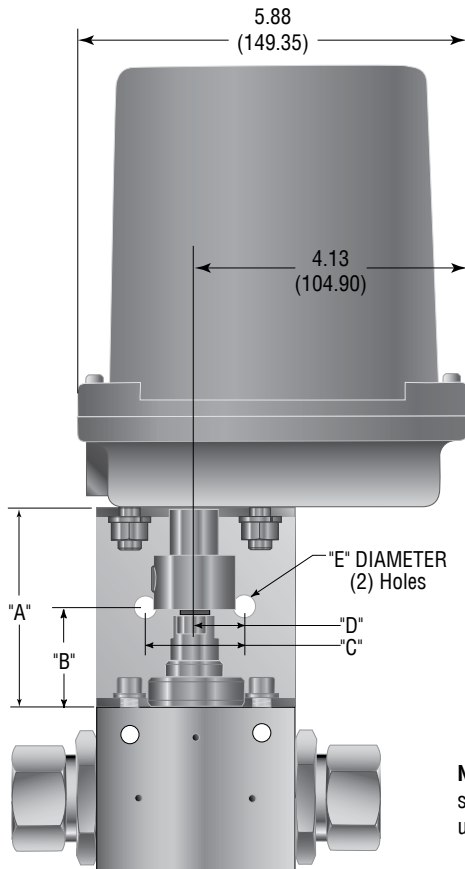
Electric Operated Ball Valves

Add the suffix **-E01**, **-E02** or **-E03** to the appropriate valve catalog number for a complete valve assembly

VALVE SERIES	DIMENSION DATA - Inches (mm)						VOLTAGE	
	"A"	"B"	"C"	"D"	"E"	"F"		
2B4-E01 2B4-E02	2.50 (63.50)	1.25 (31.75)	1.00 (25.40)	0.50 (12.70)	0.28 (7.11)	2.50 (63.50)	120 VAC 240 VAC	50/60 Hz
2B6-E01 2B6-E02	3.00 (76.20)	1.50 (38.10)	1.50 (38.10)	0.75 (19.05)	0.34 (8.63)	3.00 (76.20)	120 VAC 240 VAC	50/60 Hz
3BD3-E01 3BD3-E02	2.50 (63.50)	1.25 (31.75)	1.00 (25.40)	0.50 (12.70)	0.28 (7.11)	2.50 (63.50)	120 VAC 240 VAC	50/60 Hz
3BD6-E01 3BD6-E02	3.00 (76.20)	1.50 (38.10)	1.50 (38.10)	0.75 (19.05)	0.34 (8.63)	3.00 (76.20)	120 VAC 240 VAC	50/60 Hz
2B4-E03	2.50 (63.50)	1.25 (31.75)	1.00 (25.40)	0.50 (12.70)	0.28 (7.11)	2.50 (63.50)	24 VDC	
2B6-E03	3.00 (76.20)	1.50 (38.10)	1.50 (38.10)	0.75 (19.05)	0.34 (8.63)	3.00 (76.20)	24 VDC	
3BD3-E03	2.50 (63.50)	1.25 (31.75)	1.00 (25.40)	0.50 (12.70)	0.28 (7.11)	2.50 (63.50)	24 VDC	
3BD6-E03	3.00 (76.20)	1.50 (38.10)	1.50 (38.10)	0.75 (19.05)	0.34 (8.63)	3.00 (76.20)	24 VDC	

- NOTE:
- E01: Electric 120 VAC
 - E02: Electric 220 VAC
 - E03: Electric 24 VDC
 - CSA approved for NEMA 4 & 4X

- For other voltages consult factory
- Actuator operating temperature: -20°F to 160°F (-29°C to 71°C)
- Corrosive resistant Zytel housing
- Consult factory for epoxy option



NOTE: Operators 90° rotations standard. 180° options available upon request.

Ball Valves - Actuators

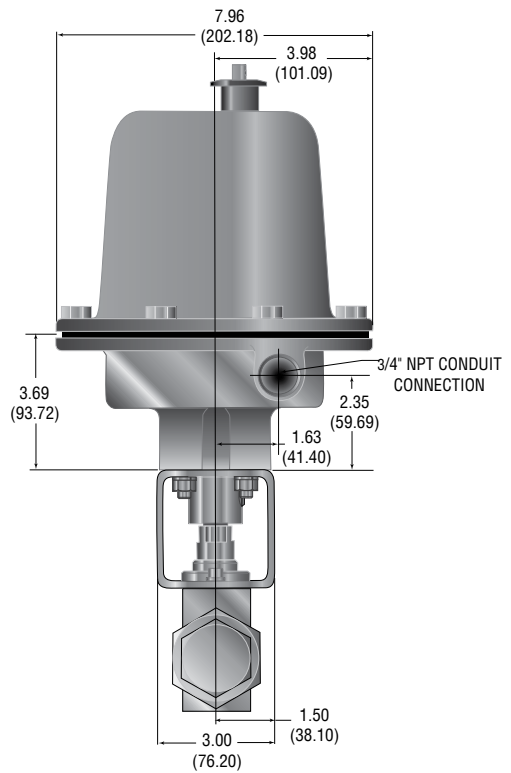
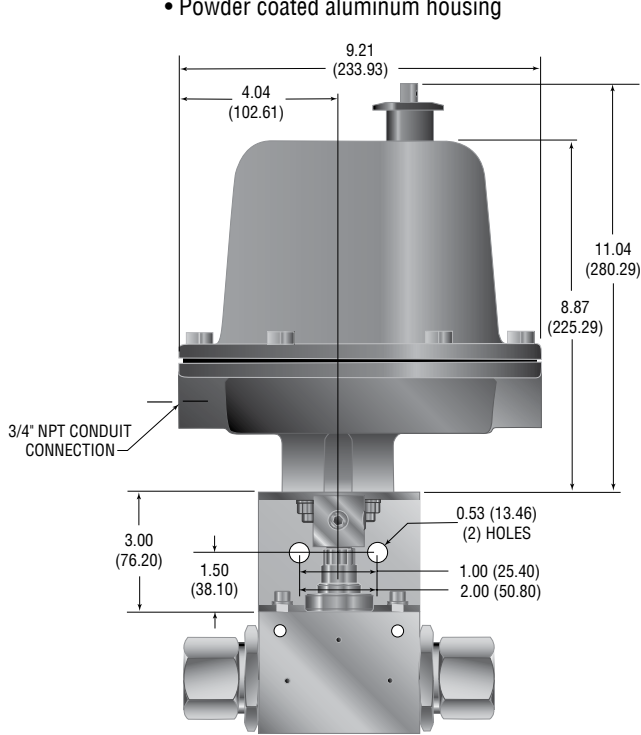
Electric Operated Ball Valves

Add the suffix -E01, -E02 or -E03 to the appropriate valve catalog number for a complete valve assembly

VALVE SERIES	VOLTAGE	VALVE SERIES	VOLTAGE
	50/60 HZ		
2B8-E01	120 VAC	2B8-E03	24 VDC
3BD8-E01	120 VAC	3BD8-E03	24 VDC
2B8-E02	220 VAC	2B8-E03	24 VDC
3BD8-E02	220 VAC	3BD8-E03	24 VDC

- NOTE:
- E01: Electric 120 VAC
 - E02: Electric 220 VAC
 - E03: Electric 24 VDC
 - For other voltages consult factory
 - Actuator operating temperature: -20°F to 160°F (-29°C to 71°C)
 - Powder coated aluminum housing

- CE marked.
- UL listed & GSA approved for NEMA 4, 4x, 7 & 9
- Explosion proof



! WARNING !

FAILURE OR IMPROPER SELECTION OR IMPROPER USE OF THE PRODUCTS AND/OR SYSTEMS DESCRIBED HEREIN OR RELATED ITEMS CAN CAUSE DEATH, PERSONAL INJURY AND/OR PROPERTY DAMAGE.

This document and other information from Snap-tite, Inc., its subsidiaries and authorized distributors, provides product and/or system options for further investigation by users having technical expertise. It is important that you analyze all aspects of your application and review the information concerning the product or system in the current product catalog. Due to the variety of operation conditions and applications for these products or systems, the user, through its own analysis and testing, is solely responsible for making the final selection of the products and systems and assuring that all performance, safety and warning requirements of the application are met.

The products described herein, including without limitation, product features, specifications, designs, availability and pricing, are subject to change by Snap-tite, Inc. and its subsidiaries at any time without notice.



Industrial Estate
Whitemill-Wexford
Republic of Ireland
PH: 353 53 914 1566 FAX: 353 53 914 1582
e-mail: ste_sales@snap-tite.com
www.snap-tite.com



Fluid Components
Division of Snap-tite, Inc.

8325 Hessinger Drive
Erie, Pennsylvania 16509-4679 USA
PH: 814-860-5700 FAX: 814-860-5811
e-mail: ae_sales@snap-tite.com
www.autoclave.com

ISO-9001 Certified

02-0109SE-0109