

Ball Valves

Options / Details

Autoclave Engineers ball valves can be supplied with a number of options to meet your requirements. Options consist of different materials of construction, seal material, high temperature seals, handle colors, handle lockouts, limit switches or limit switches with visual indicators for pneumatic actuators.

Replacement of the old style ball valve with the new style is also addressed with complete ordering information.

The following pages provide details on the available options, as well as tube connection dimensions. For additional information on these options, or technical information not found in this or any other section, consult the factory or local distributor.



**Autoclave
Engineers** 

Fluid Components
Division of Snap-tite, Inc.
www.autoclave.com

Ball Valves - Options / Details

High Temperature Option

Ball valves are available with alternate o-rings for high temperature operation. Standard Viton o-rings are replaced with Kalrez o-rings to increase the operating temperature to 500°F (260°C). To specify this option, add “-HT” to the catalog number as shown in the ball valve sections.

High temperature pneumatic valve actuators are also available. Consult factory with your application and for specific information.

Material Options

Standard ball valves are constructed of 316 stainless steel. Other materials are available for specific applications upon request. NACE (MR0175-2002) approved materials for sour service can be supplied upon request. Consult factory for later NACE revisions and for the materials available as well as the temperature and pressure ratings.

Limit Switches or Limit Switches with Visual Indicators

Pneumatic actuators are available with limit switches or limit switches with visual indicators. Consult the factory for information on these items or questions concerning your applications.

Handle Lockouts

Handle lockouts are available to lockout ball valves in the open or closed position preventing unauthorized personnel from actuating valves during shutdowns or emergency situations.

Note: To purchase ball valves with lockouts add -L to part number.

Part numbers to purchase lockout separately:

<u>2-Way Ball Valves</u>	<u>3-Way Ball Valves</u>
1/4" 2B4-L	3/16" 3B3-L
3/8" 2B6-L	3/8" 3B6-L
1/2" 2B8-L	1/2" 3B8-L

For 3-way switching ball valves, consult factory.

For 6DB (double block and bleed) valves use two 2B6-L lockouts.

Obsolete Ball Valves

Ball valves complete with connection adapters are available for direct replacement of our older obsolete ball valve. The ball valve seat glands are designed to permit replacement without having to modify your existing tubing. To order valves for direct replacement add “-OS” to the end of the standard ball valve catalog number.

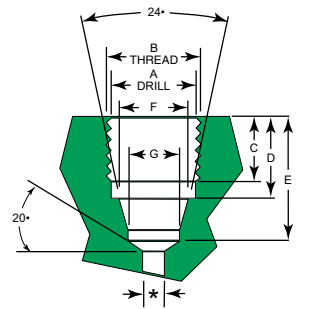
Note: This applies only to the 1/4" 2-way ball valve.

Connection Detail Dimensions

The following are reference dimensions for the tube connections used in the ball valves. For complete connection information see the Tools, Installation, Operation and Maintenance section in the Autoclave Engineers Fluid Components complete catalog.

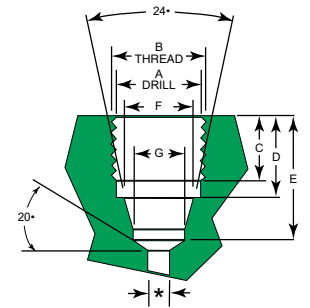
Tube Connection Dimensions - AE SpeedBite SW *

Tube Outside Diameter inches (mm)	Connection Type	Dimensions - Inches (mm)						
		A	B	C	D	E	F	G
1/4 (6.35)	SW250	29/64 (11.50)	1/2 -20 (12.7) -20	0.34 (8.64)	0.44 (11.20)	0.69 (17.50)	0.35 (8.89)	"F" 0.257 "F" (6.53)
3/8 (19.50)	SW375	37/64 (14.70)	5/8 -18 (15.90) -18	0.38 (9.65)	0.47 (11.90)	0.75 (19.10)	0.48 (12.20)	"W" 0.386 "W" (9.80)
1/2 (12.70)	SW500	3/4 (19.10)	13/16 -16 (20.60) -16	0.41 (10.50)	0.50 (12.70)	0.81 (20.60)	0.60 (15.20)	0.514 (13.100)



Tube Connection Dimensions - AE SpeedBite W *

Tube Outside Diameter inches (mm)	Connection Type	Dimensions - Inches (mm)						
		A	B	C	D	E	F	G
1/8 (3.18)	W125	"Q" 0.332 "Q" (8.43)	3/8 -24 (9.53) -24	0.22 (5.59)	0.31 (7.87)	0.47 (11.90)	0.19 (4.83)	#30 0.128 #30 (3.25)
1/4 (6.35)	W250	11/16 (17.50)	3/4 -16 (19.10) -16	0.38 (9.65)	0.44 (11.20)	0.69 (17.50)	0.35 (8.89)	"F" 0.257 "F" (6.53)
3/8 (9.53)	W375	11/16 (17.50)	3/4 -16 (19.10) -16	0.38 (9.65)	0.44 (11.20)	0.69 (17.50)	0.48 (12.20)	"W" 0.386 "W" (9.80)



Note: All dimensions are shown for reference only and should not be considered as actual machine dimensions.

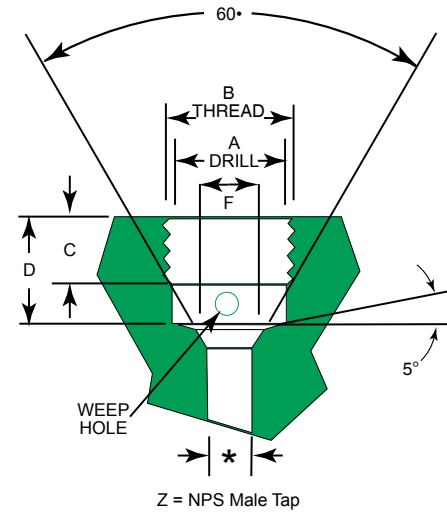
* For port diameter please see orifice sizes for specific valves and fittings.

All threads are manufactured to a class 2A or 2B fit.

For prompt service, Autoclave stocks select products. Consult factory.

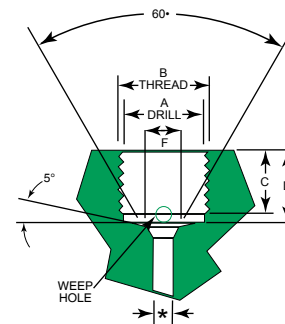
Tube Connection Dimensions - AE Medium Pressure SFCX **

Tube Outside Diameter inches (mm)	Connection Type	Dimensions - Inches (mm)				
		A	B	C	D	F
1/4 (6.35)	SF250CX20	25/64 (9.92)	7/16 -20 (11.10) -20	0.28 (7.11)	0.50 (12.70)	0.19 (4.83)
3/8 (9.53)	SF375CX20	33/64 (13.10)	9/16 -18 (14.30) -18	0.38 (9.65)	0.62 (15.70)	0.31 (7.87)
9/16 (14.30)	SF562CX20	3/4 (19.10)	13/16 -16 (20.60) -16	0.44 (11.20)	0.75 (19.10)	0.50 (12.70)
3/4 (19.10)	SF750CX20	61/64 (24.20)	3/4 -14 _Z (19.10) -14 _Z	0.50 (12.70)	0.94 (23.90)	0.62 (15.70)
1 (25.40)	SF100CX20	1 -19/64 (32.90)	1-3/8 -12 (34.90) -12	0.81 (20.60)	1.31 (33.30)	0.88 (22.40)
1-1/2 (38.10)	SF1500CX	1-25/32 (45.24)	1-7/8 -12 (47.63) -12	1.00 (25.40)	1.59 (40.49)	1.38 (34.93)



Tube Connection Dimensions - AE HighPressure FC **

Tube Outside Diameter inches (mm)	Connection Type	Dimensions - Inches (mm)				
		A	B	C	D	F
1/4 (6.35)	F250C	33/64 (13.10)	9/16 -18 (14.30) -18	0.38 (9.65)	0.44 (11.20)	0.17 (4.32)
3/8 (9.53)	F375C	11/16 (17.50)	3/4 -16 (19.10) -16	0.53 (13.50)	0.62 (15.70)	0.26 (6.60)
9/16 (14.30)	F562C	1-3/64 (26.60)	1-1/8 -12 (28.60) -12	0.62 (15.70)	0.75 (19.10)	0.38 (9.65)



Note: All dimensions are shown for reference only and should not be considered as actual machine dimensions.

** For port diameter please see orifice sizes for specific valves and fittings.*

*** For male tubing end preparation, please see pages "Tools, Installation" section in main catalog.*

All threads are manufactured to a class 2A or 2B fit.

For prompt service, Autoclave stocks select products. Consult factory.

! WARNING !

FAILURE OR IMPROPER SELECTION OR IMPROPER USE OF THE PRODUCTS AND/OR SYSTEMS DESCRIBED HEREIN OR RELATED ITEMS CAN CAUSE DEATH, PERSONAL INJURY AND/OR PROPERTY DAMAGE.

This document and other information from Snap-tite, Inc., its subsidiaries and authorized distributors, provides product and/or system options for further investigation by users having technical expertise. It is important that you analyze all aspects of your application and review the information concerning the product or system in the current product catalog. Due to the variety of operation conditions and applications for these products or systems, the user, through its own analysis and testing, is solely responsible for making the final selection of the products and systems and assuring that all performance, safety and warning requirements of the application are met.

The products described herein, including without limitation, product features, specifications, designs, availability and pricing, are subject to change by Snap-tite, Inc. and its subsidiaries at any time without notice.


EUROPE

Industrial Estate
Whitemill-Wexford
Republic of Ireland
PH: 353 53 914 1566 FAX: 353 53 914 1582
e-mail: ste_sales@snap-tite.com
www.snap-tite.com



Fluid Components
Division of Snap-tite, Inc.

8325 Hessinger Drive
Erie, Pennsylvania 16509-4679 USA
PH: 814-860-5700 FAX: 814-860-5811
e-mail: ae_sales@snap-tite.com
www.autoclave.com

ISO-9001 Certified

02-0110SE-0109