



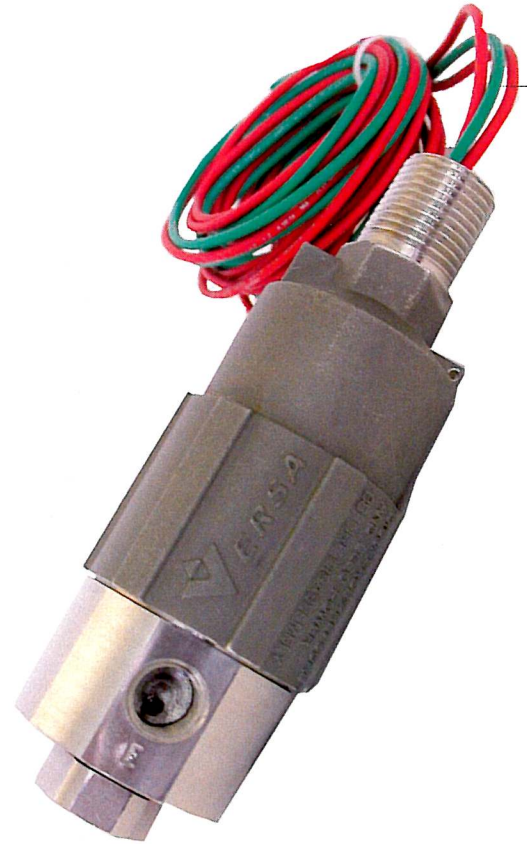
March 2006

Inline Valve Series

Designed for the Most Extreme Environments

**Low 1.86 Watt or
Optional Super Low .85 Watt!!!**

- 1.86 Watt @ 150 psi - .85 Watt @ 115 psi
- Large Orifices
- Factory Sealed Coil
- 316 Stainless Steel Construction
- Space Saving Design
- 3 Way N/C 2 Position Direct Acting
- Pneumatic - Gas - Hydraulic Service



Ordering Information

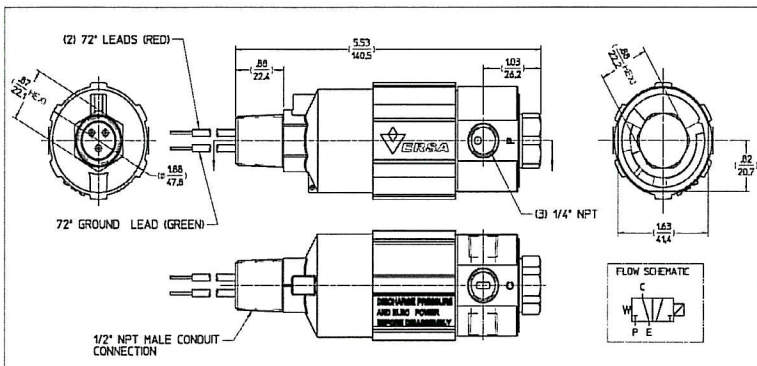
Base Part Numbers

1.86 Standard Wattage
E3SM-3301-46-316-*-XPS-Volt

* Optional Class H Coil-HT

.85 Super Low Watt Coil
E3SM-3301-316-LC-XPS-D024

	Standard Wattage	Super Low Watt
Model	E3SM-3301-46-316-XPS-VOLT	E3SM-3301-36-316-LC-XPS-D024
Power, Wattage	1.86 Watts	0.85 Watts
Voltages	12 vdc & 24 vdc	24 vdc
Pressure, psi	0 - 150	0 - 115
Flow, In Cv/Orifice	.11 / 1/16"	.06 / 3/64"
Flow, Exh Cv/Orifice	.16 / 3/32"	.16 / 3/32"
Media/Ambient	Standard= -40°F to 122°F (-20°C to 49°C)	
Temperature	-HT= -40°F to 200°F (-20°C to 95°C)	
Coil Rating	Standard= Class F (-HT= class H)	
Voltage Range	+/- 15 %	
Media	Air / Gas / Hydraulic	
Materials		
Body	316 Stainless Steel	
Coil Housing	316 Stainless Steel	
Seals	Fluorocarbon	
Springs	316 Stainless Steel	
Wetted Parts	304, 316 & 430F Stainless Steel/Teflon	
Coil	Encapsulated (Factory Sealed)	
Connections		
Ports	1/4" NPT	
Conduit Connection	1/2" NPT male	
Wire	3 wire, not polarity dependant	
Mounting	None (mount off conduit hub). Not orientation sensitive	
Rating		
North American		Class I, Div 1, Groups C & D; Class II, Div 1, Groups, Groups E, F, & G; T6 Type 4X & 6P. Class I, Div 2, Groups C & D; Class II, Div 2, Groups, Groups E, F, & G; Type 4X & 6P.



Versa Products Company Inc. · 22 Spring Valley Rd. · Paramus NJ · 07652
 Phone 201-843-2400 · Web Site www.versa-valves.com · e-mail: sales@versa-valves.com

Versa exercises diligence to assure that information contained on this specification sheet is correct, but does not accept responsibility for any errors or omissions. Versa also reserves the right to change or delete data or products at any time without prior notification. To be sure data you require is correct consult factory.