

Norman 5000 Series Spin-On Filters

- 250 PSIG
- 1 thru 141 Micron
- Water Absorption Elements



NORMAN FILTER COMPANY, L.L.C.
PHONE: 708-233-5521 • FAX: 708-430-5961
Sales@NormanFilters.com • www.NormanFilters.com

5000 SERIES SPIN-ON FILTERS

Pressure: 250 PSI Max. Operating
Warning: 80 PSI Δ P. max. without by-pass valve.

Temperature: -65 to +250° F. Operating
 Applications: Petroleum based fluids only.
 Consult factory for synthetic fluids.

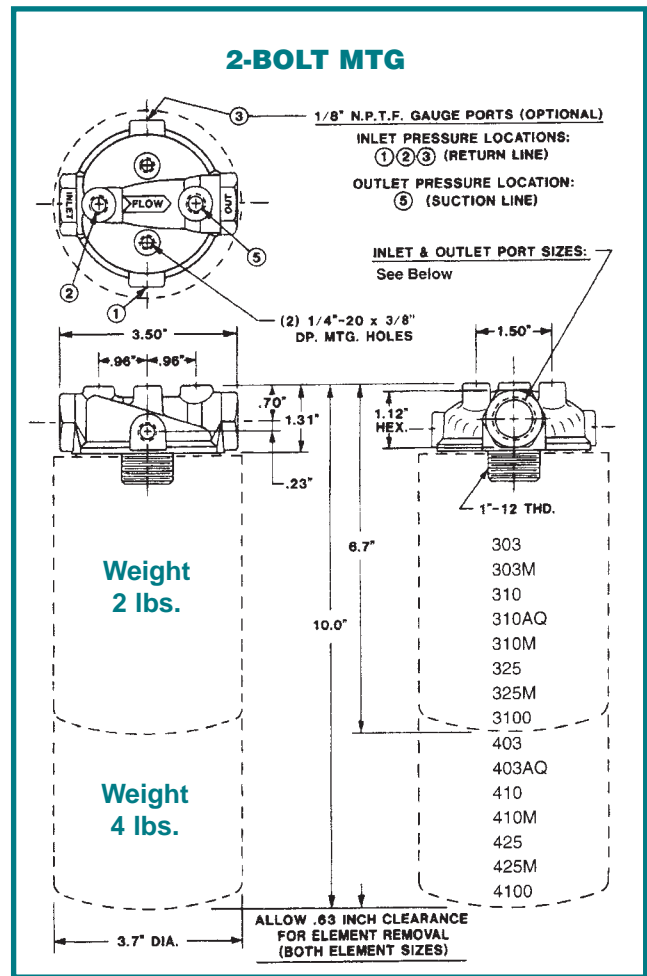
MATERIALS

(HEAD) CAST ALUMINUM
 (ELEMENT) DRAWN STEEL

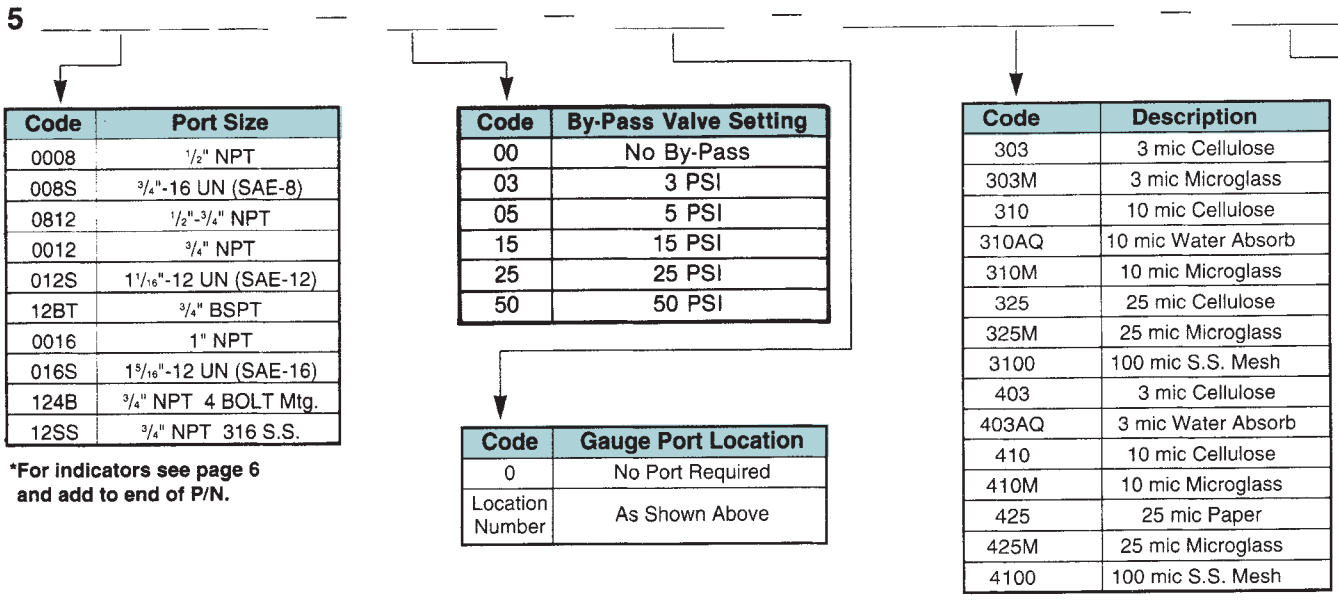
HEAD FLOWS

Code	Suction	Return Line
0008	12	22
008S	12	22
0812	5	22
0012	9	25
012S	9	25
12BT	9	25
0016	14	32
016S	14	32
124B	9	25
12SS	9	25

*For suction applications use 3 or 5 PSI bypass.



HOW TO ORDER



*For indicators see page 6 and add to end of P/N.

Seals

*Omit Standard

Code	Compound
* L	Nitrile
N	Viton
E	Ethyl Propylene



Pressure: 200 PSI Max. Operating
Warning: 80 PSI Δ P. max. without by-pass valve.

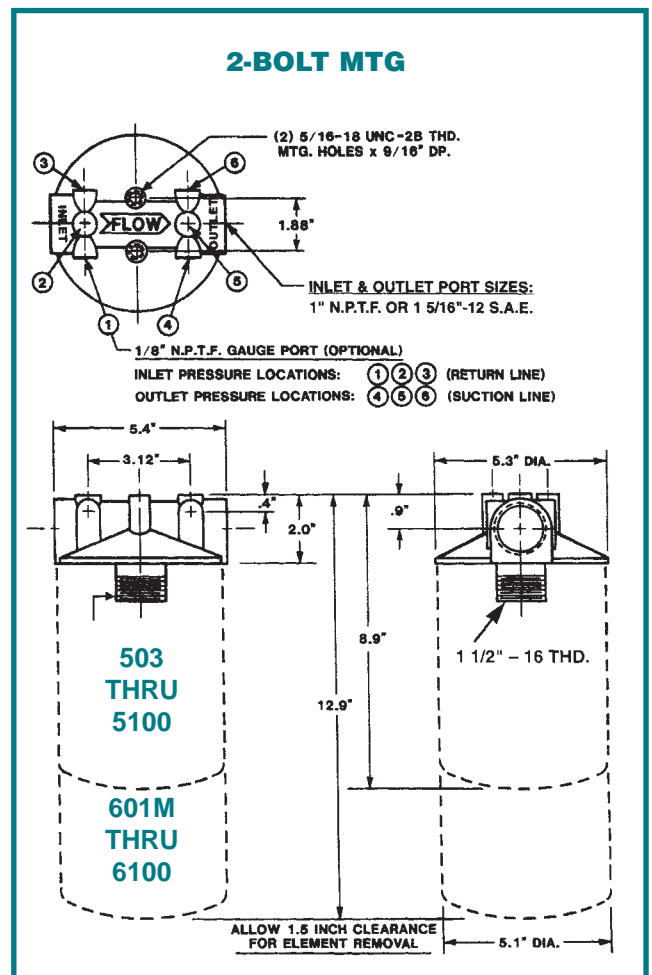
Temperature: -65 to +250° F. Operating

MATERIALS
(HEAD) CAST ALUMINUM
(ELEMENT) DRAWN STEEL

HEAD FLOWS

Code	Suction	Return Line
016L	15	40
16LS	15	40
16BT	15	40
16SS	15	40
1624	15	40
0020	25	70
020S	25	70
0024	32	80
024S	32	80
204B	25	70

*For suction applications use 3 or 5 PSI bypass.



HOW TO ORDER

5

Code	Port Size
016L	1" NPT
16LS	1 ⁵ / ₁₆ "-12 (SAE-16)
16BT	1"-11" BSPT
16SS	1" NPT 316 S.S.
1624	1" Inlet 1 ¹ / ₂ " Outlet NPT
0020	1 ¹ / ₄ " NPT
020S	1 ⁵ / ₈ "-12 UN (SAE-20)
0024	1 ¹ / ₂ " NPT
024S	1 ⁷ / ₈ "-12 UN (SAE-24)
204B	1 ¹ / ₄ " NPT 4 BOLT Mtg.

*For gauges, see page 6 and add part # of gauge.

Code	By-Pass Valve Setting
00	No By-Pass
03	3 PSI
05	5 PSI
15	15 PSI
25	25 PSI

Code	Gauge Port Location
0	No Port Required
Location Number	As Shown Above

Seals

Code	Compound
*L	Nitrile
N	Viton
E	Ethyl Propylene

*Omit Standard

Code	Description
503	3 mic Cellulose
503M	3 mic Microglass
506M	6 mic Microglass
510	10 mic Cellulose
512M	12 mic Microglass
525	25 mic Cellulose
525M	25 mic Microglass
5100	100 mic S.S. Mesh
601M	1 mic Microglass
603	3 mic Cellulose
603AQ	3 mic Water Absorb
603M	3 mic Microglass
606M	6 mic Microglass
610	10 mic Cellulose
610AQ	10 mic Water Absorb
610AQM	10 mic Water Absorb
612M	12 mic Microglass
625	25 mic Cellulose
625M	25 mic Microglass
6100	100 mic S.S. Mesh



Flows Up to: 70 GPM (Return) 25 GPM (Suction)
Pressure: 200 PSI Max. Operating
Warning: 80 PSI Δ P. max. without by-pass valve.

Temperature: -65 to +250° F. Operating
 -65 to +150° F. w/visual indicator

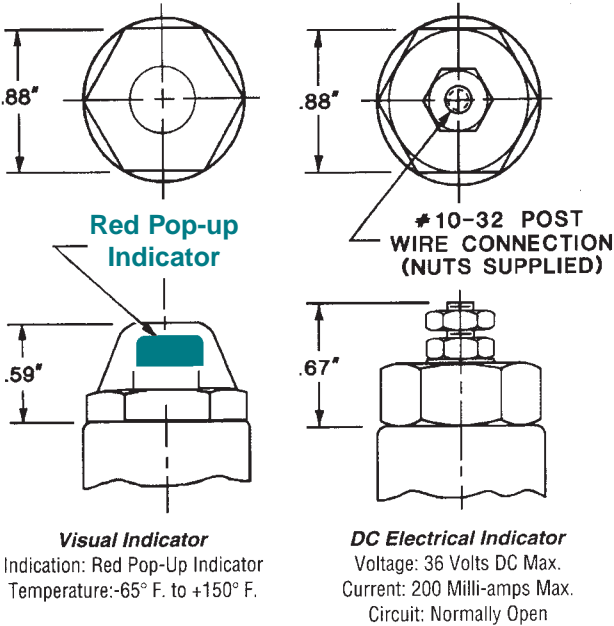
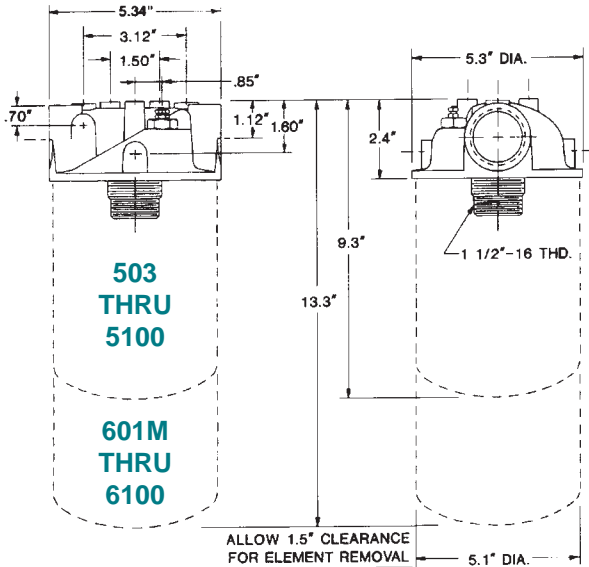
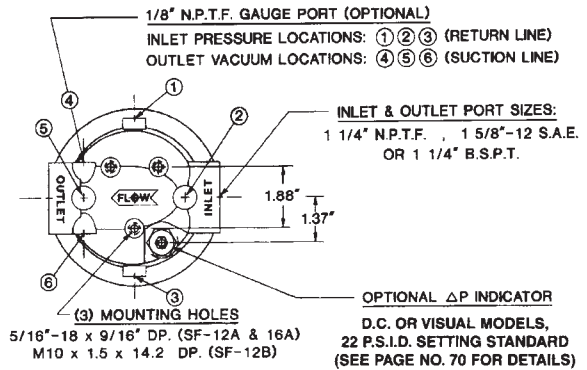
MATERIALS
(HEAD) CAST ALUMINUM
(ELEMENT) DRAWN STEEL

Function:

Indicators automatically reset themselves after initial warm up period (cold start) or after filter element is replaced. Indicators signal that the filter element is clogging and should be replaced before filter assembly goes into bypass. Indicators automatically reset themselves when filter is not in by-pass.

Factory Installation:

Indicators are installed at the factory. They are not available for field installation.



Code	Description
503	3 mic Cellulose
503M	3 mic Microglass
506M	6 mic Microglass
510	10 mic Cellulose
512M	12 mic Microglass
525	25 mic Cellulose
525M	25 mic Microglass
5100	100 mic S.S. Mesh
601M	1 mic Microglass
603	3 mic Cellulose

Code	Description
603AQ	3 mic Water Absorb
603M	3 mic Microglass
606M	6 mic Microglass
610	10 mic Cellulose
610AQ	10 mic Water Absorb
610AQM	10 mic Water Absorb
612M	12 mic Microglass
625	25 mic Cellulose
625M	25 mic Microglass
6100	100 mic S.S. Mesh

HOW TO ORDER

5

Code	Port Size
20P	1 1/4" NPT
20B	1 1/4" BSPT
20S	1 5/8"-12 UN (SAE-20)

Code	Gauge Port Location
0	No Port Required
Location Number	As Shown Above

Code	Δ P Indicator Setting
02	2 PSI
04	4 PSI
13	13 PSI
22	22 PSI

Code	By-Pass Valve Setting
00	No By-Pass
03	3 PSI
05	5 PSI
15	15 PSI
25	25 PSI

Code	Indicator Type
0	No Indicator
D	D.C. Indicator
V	Visual Indicator

*Omit Standard

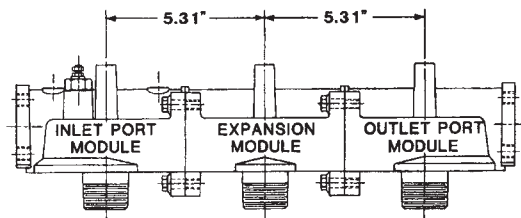
Code	Compound
* L	Nitrile
N	Viton
E	Ethyl Propylene



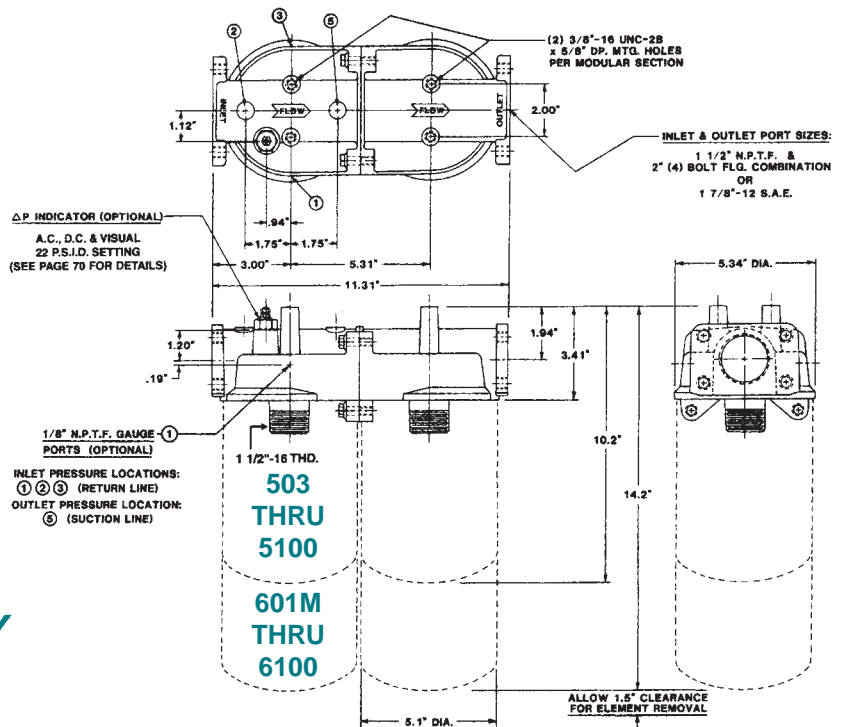
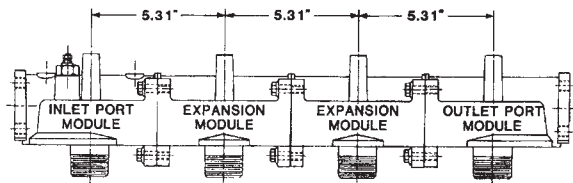
Flows Up to: 120 GPM (Return) 50 GPM (Suction)
Pressure: 200 PSI Max. Operating
Warning: 80 PSI ΔP max. without by-pass valve.

Temperature: -65 to +250° F. Operating

3 ELEMENT SPIN-ON FILTER HEAD ASSEMBLY



4 ELEMENT SPIN-ON FILTER HEAD ASSEMBLY



ME-Series filters consist of two or more spin-on filter head modules bolted together to form a complete assembly. Inlet flow is equally divided among all spin-on filter elements (parallel flow). Multiple filter head module design allows filter elements to be manifolded together creating greater flow capacities or longer service life.

Flow data for a ME-Series 4 element filter head is identical to the 3 element filter above. ME-Series filter heads with 4 or more elements will not significantly reduce pressure drop or allow greater flow through the assembly they will lengthen the time periods between element servicing.

HOW TO ORDER

ME - XX - XX - X - X - X - XX

Code	Inlet & Outlet Port Size & Type
M24	1 7/8" - 12 (SAE - 24)
M24BFP	1 1/2"(4) Bolt Flange & 1 1/2" NPTF Combination

Code	By-Pass Valve Setting
00	No Valve
03	3 PSI
05	5 PSI
15	15 PSI
25	25 PSI

Code	Gauge Port Location
0	No Gauge Port
1, 2, 3, or 5	Location Number As Shown On Drawing

Code	ΔP Indicator Setting
02	2 PSI
04	4 PSI
13	13 PSI
22	22 PSI

Code	ΔP Indicator Options
0	No Indicator
D	DC Indicator **
V	Visual Indicator **

Code	No of Filter Head Modules
2	2 Modules
3	3 Modules
4	4 Modules

For Elements see page 3

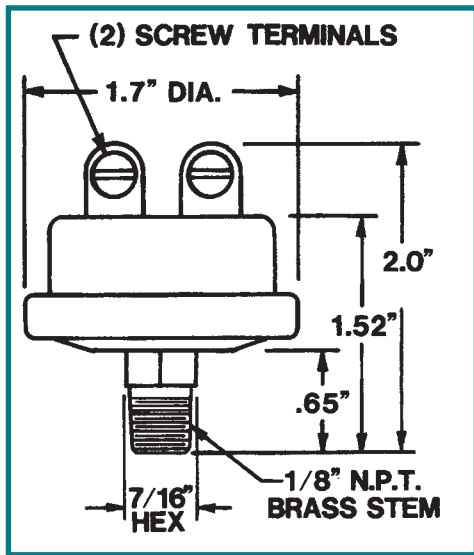


5PS & 5VS SERIES VACUUM & PRESSURE INDICATOR SWITCHES

5SL & 5RL SERIES FILTER GAUGES VACUUM & PRESSURE

Filter Condition Indicators

Suction & Return Line Filter Gauges Indicate
When To Replace Filter Element



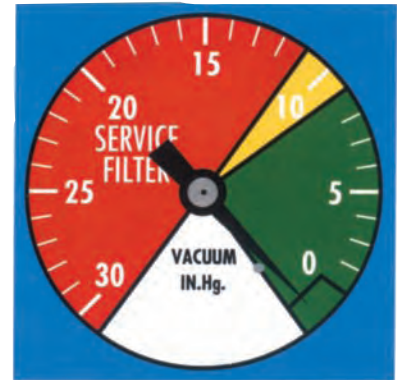
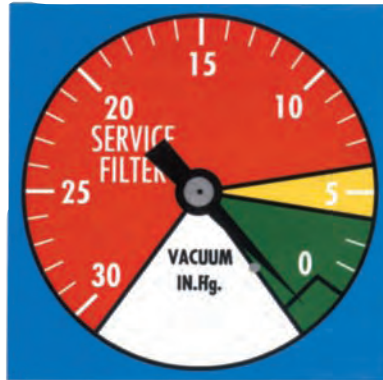
Specifications:

- Operating Pressures:
 - 5VS- 5: 150 PSI max.
 - 5VS-10: 150 PSI max.
 - 5PS-15: 150 PSI max.
 - 5PS-25: 250 PSI max.
- Circuit: SPST - N.O.
- Operating Temperatures:
 - 40° to +250° F.
- Ratings:
 - Resistive:
 - 15 AMP - 6 VDC
 - 8 AMP - 12 VDC
 - 4 AMP - 24 VDC
 - Inductive:
 - 1 AMP - 120 VAC
 - 0.5 AMP - 240 VAC

VACUUM GAUGES

Suction Line

Filter Installations



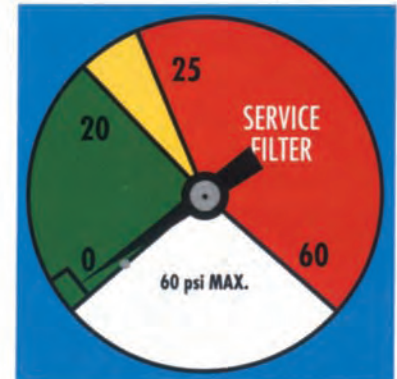
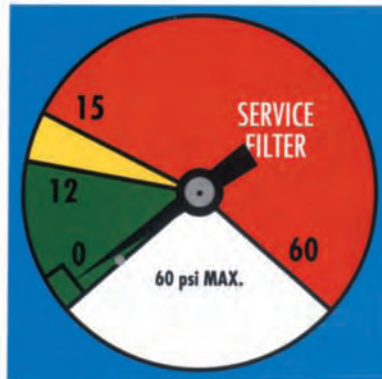
P/N 5SL-5

P/N 5SL-10

PRESSURE GAUGES

Return Line

Filter Installations

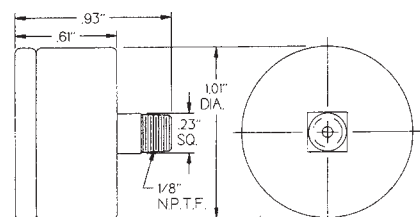


P/N 5RL-12

P/N 5RL-20

Gauge Construction:

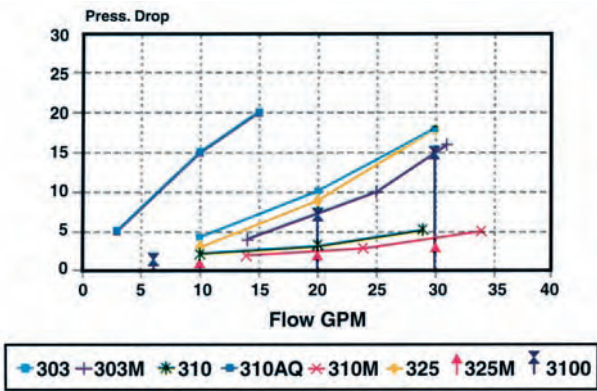
- Steel Case (Black)
- Brass Stem
- Glass Lens



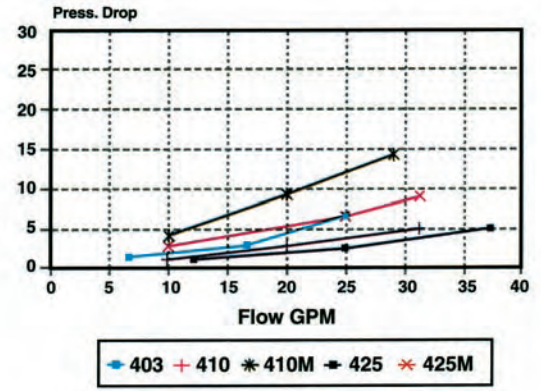
Part Number	Description
5VS-5	Vacuum switch set to activate a panel light at 5" Hg. (For use on a filter with a 3 PSI by-pass valve setting).
5VS-10	Vacuum switch set to activate a panel light at 10" Hg. (For use on a filter with a 5 PSI by-pass valve setting).
5PS-15	Pressure switch set to activate a panel light at 15 PSI. (For use on a filter with a 15 PSI by-pass valve setting).
5PS-25	Pressure switch set to activate a panel light at 25 PSI. (For use on a filter with a 25 PSI by-pass valve setting).
SC-1	Optional rubber weather cover.



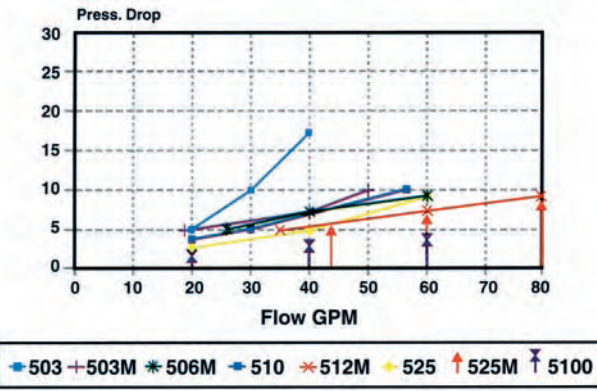
300 Series Elements



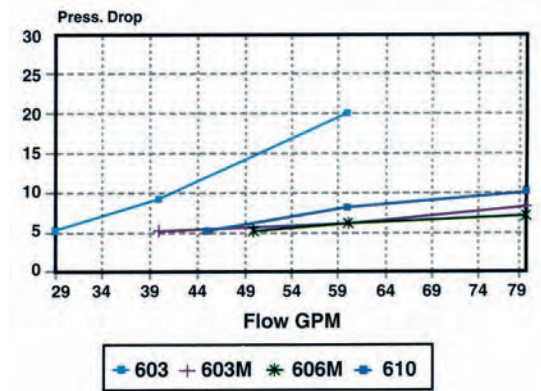
400 Series Elements



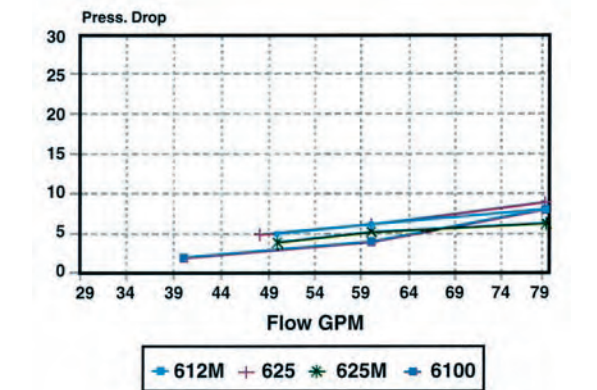
500 Series Elements



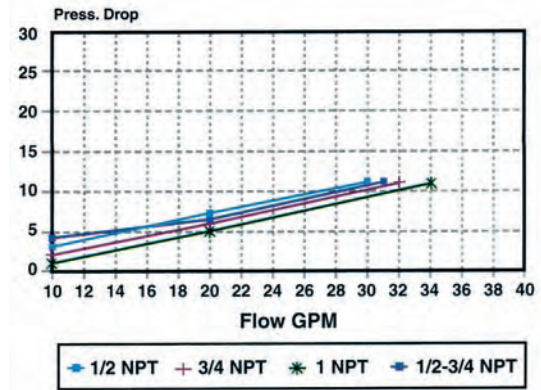
600 Series Elements



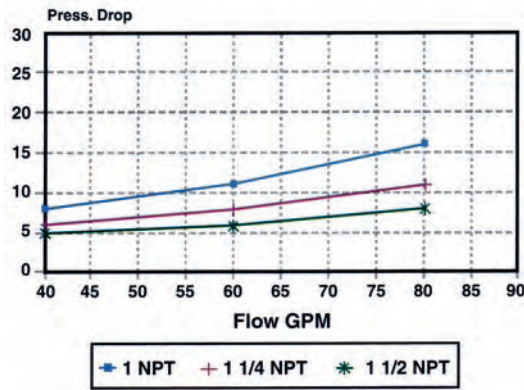
600 Series Elements



300 & 400 SERIES HEADS



500 & 600 SERIES HEADS



ELEMENT DATA

Part No.	303	303M	310	310AQ	310M	325	325M	3100
Diameter	3.7	3.7	3.7	3.7	3.7	3.7	3.7	3.7
Length	5.3	5.3	5.3	5.3	5.3	5.3	5.3	5.3
Mtg. Thread	1-12	1-12	1-12	1-12	1-12	1-12	1-12	1-12
Micron Rating	3	3 ABS	10	10	10 ABS	25	25 ABS	141
Media Sq. Inches	611	679	550	175	600	560	580	91
DHC*	17.5	31	16	8.0	24	30	34	17.3
WHC**	—	—	—	8.0	—	—	—	—
Case Qty.	12	12	12	12	12	12	12	12

Part No.	403	403AQ	403M	410	410AQ	410M	425	425M	4100
Diameter	3.7	3.7	3.7	3.7	3.7	3.7	3.7	3.7	3.7
Length	8.6	8.6	8.6	8.6	8.6	8.6	8.6	8.6	8.6
Mtg. Thread	1-12	1-12	1-12	1-12	1-12	1-12	1-12	1-12	1-12
Micron Rating	3	3	3 ABS	10	10	10 ABS	25	25 ABS	141
Media Sq. Inches	935	309	478	947	350	860	947	930	160
DHC*	36	18	27	37	23	50	60	55	31
WHC**	—	14	—	—	10.14	—	—	—	—
Case Qty.	12	12	12	12	12	12	12	12	12

Part No.	503	503M	506M	510	512M	525	525M	5100
Diameter	5.1	5.1	5.1	5.1	5.1	5.1	5.1	5.1
Length	6.9	6.9	6.9	6.9	6.9	6.9	6.9	6.9
Mtg. Thread	11/2-16	11/2-16	11/2-16	11/2-16	11/2-16	11/2-16	11/2-16	11/2-16
Micron Rating	3	3 ABS	6 ABS	10	12 ABS	25	25 ABS	141
Media Sq. Inches	635	680	850	668	561	664	673	200
DHC*	18	32	40	30	45	61	65	38
WHC**	—	—	—	—	—	—	—	—
Case Qty.	6	6	6	6	6	6	6	6

Part No.	601M	603	603AQ	603M	606M	610	610AQ	610AQM	612M	625	625M	6100
Diameter	5.1	5.1	5.1	5.1	5.1	5.1	5.1	5.1	5.1	5.1	5.1	5.1
Length	10.9	10.9	10.9	10.9	10.9	10.9	10.9	10.9	10.9	10.9	10.9	10.9
Mtg. Thread	11/2-16	11/2-16	11/2-16	11/2-16	11/2-16	11/2-16	11/2-16	11/2-16	11/2-16	11/2-16	11/2-16	11/2-16
Micron Rating	1	3	3	3 ABS	6 ABS	10	10	10 ABS	12 ABS	25	25 ABS	141
Media Sq. Inches	1195	1269	648	—	—	1052	648	641	1041	1227	1246	330
DHC*	20	32	40	32	71	50	47	59	90	130	138	63
WHC**	—	—	29	—	—	—	29	27	—	—	—	—
Case Qty.	6	6	6	6	6	6	6	6	6	6	6	6

*Dirt Holding Capacity
(Grams)

**Water Holding Capacity
(Ounces)



NORMAN FILTER COMPANY, L.L.C.

9850 SOUTH INDUSTRIAL DRIVE
BRIDGEVIEW, ILLINOIS 60455
PHONE: 708-233-5521
FAX: 708-430-5961
EMAIL: SALES@NORMANFILTERS.COM
WWW.NORMANFILTERS.COM

DISTRIBUTED BY: