

516SS

REVISIONS			
DRAWING REV.	DESCRIPTION	DATE	APPROVED
-	ECO 1668: INITIAL RELEASE	5/24/18	DJ

CODE	DESCRIPTION
503	3 MIC CELLULOSE
503M	3 MIC MICROGLASS
506M	6 MIC MICROGLASS
510	10 MIC CELLULOSE
512M	12 MIC MICROGLASS
525	25 MIC CELLULOSE
525M	25 MIC MICROGLASS
5100	100 MIC S.S. MESH
601M	1 MIC MICROGLASS
603	3 MIC CELLULOSE
603AQ	3 MIC WATER ABSORB
603M	3 MIC MICROGLASS
606M	6 MIC MICROGLASS
610	10 MIC CELLULOSE
610AQ	10 MIC WATER ABSORB
612M	12 MIC MICROGLASS
625	25 MIC CELLULOSE
625M	25 MIC MICROGLASS
6100	100 MIC S.S. MESH

CODE	BYPASS VALVE SETTING
00	NO BYPASS
03	3 PSI
05	5 PSI
15	15 PSI
25	25 PSI

CODE	DESCRIPTION
0	NO GAUGE
1	SEE DRAWING
2	SEE DRAWING
3	SEE DRAWING
5	SEE DRAWING

*NOTE: IF A GAUGE PORT IS SELECTED, GAUGE WILL BE INCLUDED. IF 2 GAUGE LOCATIONS ARE SELECTED, 2 GAUGES WILL BE INCLUDED.

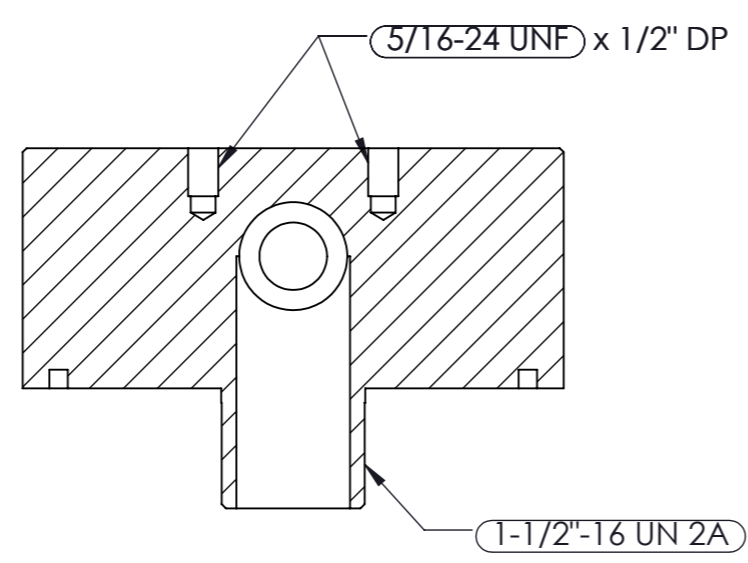
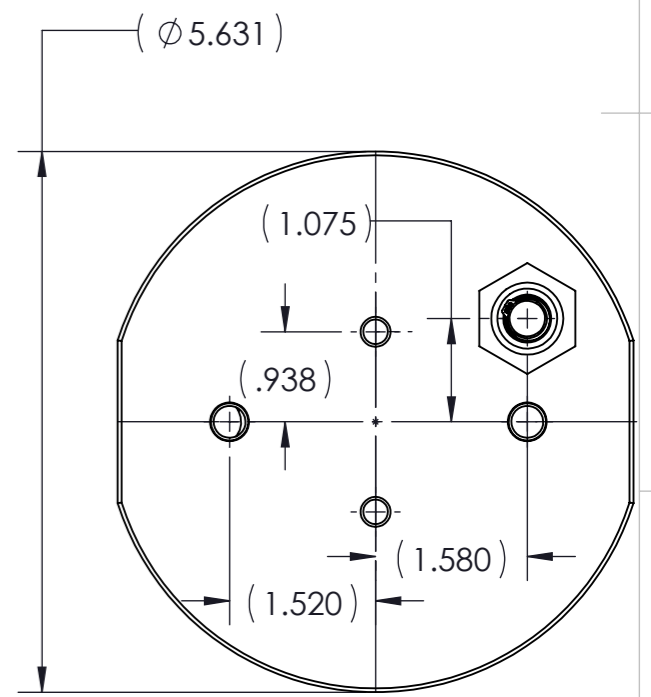
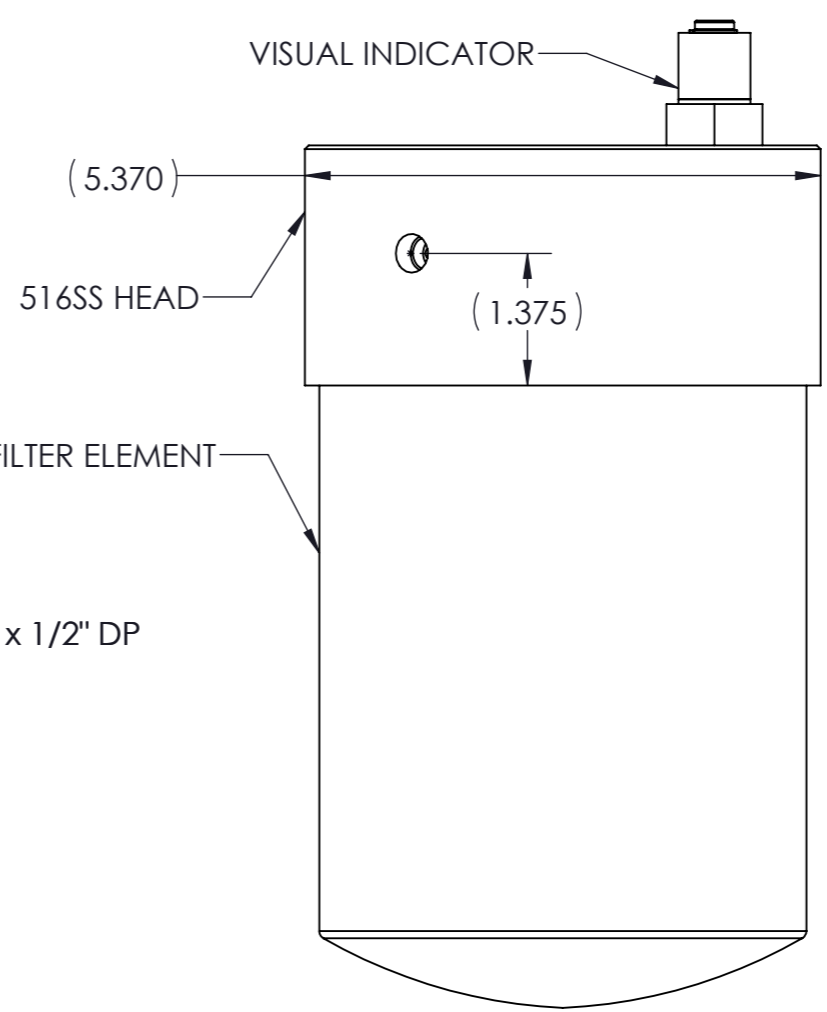
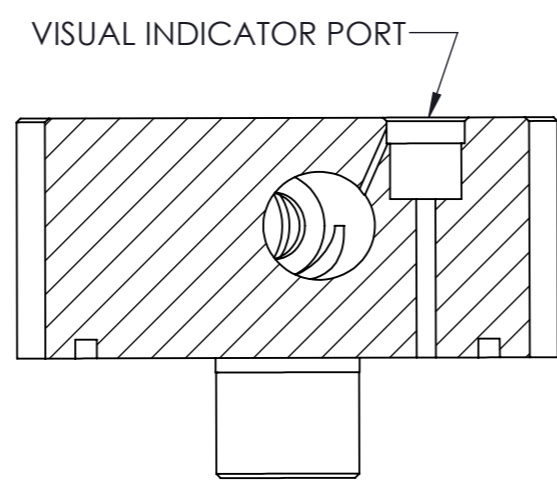
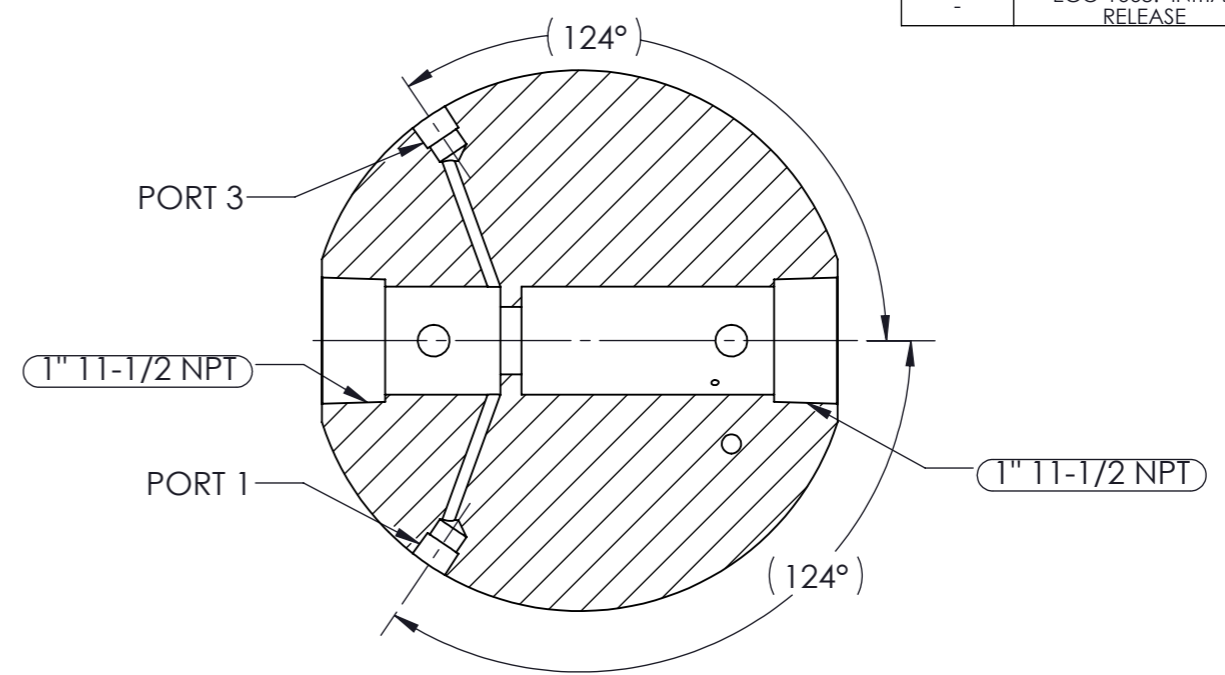
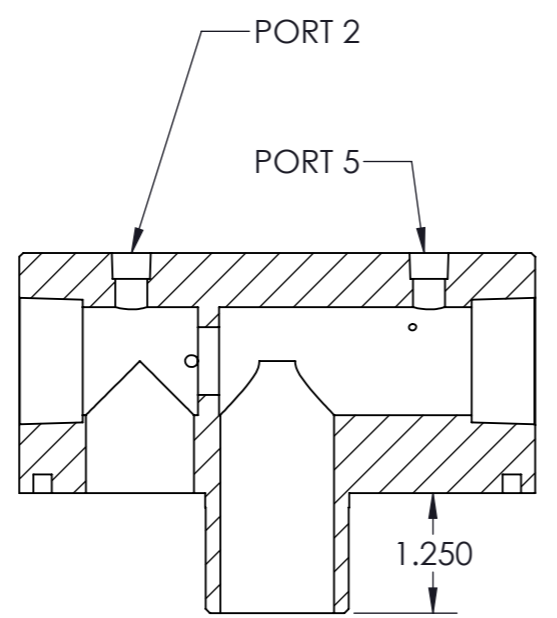
CODE	DESCRIPTION
0	NO INDICATOR
V	VISUAL INDICATOR

CODE	COMPOUND
*L	NITRILE
N	VITON
E	ETHYL PROPYLENE

*NOTE: OMIT STANDARD

ASSEMBLY: 5 - 316SS - - - -

EXAMPLE: 5 - 316SS - - - -



UNLESS OTHERWISE SPECIFIED DIMENSIONS ARE IN INCHES

TOLERANCES ON:
 2 PLACE DECIMAL: .XX +/- 0.01
 3 PLACE DECIMAL: .XXX +/- 0.005
 ANGULAR: +/- 0.5°

PART TO BE FREE OF BURRS
 REMOVE SHARP EDGES (FILLET 0.005" - 0.020") MEASUREMENT NOT REQUIRED
 SURFACE FINISH 125 Ra UNLESS NOTED, VISUAL INSPECTION ONLY REQUIRED
 IF PART REVISION IS NOT SPECIFIED, PART REV. MATCHES DRAWING REV.
 NFC WORKMANSHIP STANDARD DMF01-24 APPLIES

NORMAN FILTERS
NORMAN FILTER COMPANY
 9850 SOUTH INDUSTRIAL DRIVE - BRIDGEVIEW, IL 60455
 PHONE (708)430-4000 - FAX (708)430-5961

TITLE: 516SS ASSEMBLY		PART REV: -	
PART NUMBER: TABULATED		CAGE CODE 59165	
DWG NO. 516SS_ASSEMBLY		SIZE A3	

DO NOT SCALE DRAWING