

536 SIZE

16 GPM/ 600 SCFM

536 SIZE

TABLE 1 - PRESSURE

TABLE 2 - PORT SIZE, TYPE

45	5000 psi
45	6000 psi
146**	10000 psi
346**	15000 psi
546**	20000 psi

82	1/4"-18 FNPT
85	1/2"-14 FNPT
36	3/4"-14 FNPT
26N	1"-11.5 FNPT
42S	1/4" SAE AS5202-04
62S	3/8" SAE AS5202-06
46S	1/2" SAE AS5202-08
95S	3/4" SAE AS5202-12
26S	1" SAE AS5202-16
42J	1/4" SAE J-1926/1-4
62J	3/8" SAE J-1926/1-6
46J	1/2" SAE J-1926/1-8
95J	3/4" SAE J-1926/1-12
26J	1" SAE J-1926/1-16
250	1/4" MEDIUM PRESSURE*
375	3/8" MEDIUM PRESSURE*
562	9/16" MEDIUM PRESSURE*
750	3/4" MEDIUM PRESSURE*
1.00	1" MEDIUM PRESSURE*

*10K, 15K, & 20K ONLY

SEE TABLE 2a

SOCKET WELD PER ASME B16.11
BUTT WELD PER ASME B16.25

**NFC 146, 346, 546 Series Filters are designed for high pressure (up to 20,000 psi), port and accessory options may limit MAX Pressure.

TABLE 6 - COLLAPSE RATING

D	4500 psi WIRE MESH
E	4500 psi RMF
A	300 psi GLASS FIBER
C	3250 psi GLASS FIBER
P	150 psi CELLULOSE
R	300 psi CELLULOSE
F	2000 psi 316 SINTERED
K	NICKEL SINTERED
X	BRASS SINTERED

TABLE 7 - O-RING MATERIAL

M	PTFE
M1	PTFE PER AMS 3678C-1-B
E	ETHYLENE PROPYLENE
E1	V1238-95
S	SILICONE
L	BUNA-N
K	90 DUROMETER NITRILE
HNBR	HNBR
H	4079 KALREZ™
N	VITON
MN	PTFE COATED VITON

TABLE 2a - WELD SPECIFICATION

PORT SIZE, X/16 SCALE	PIPE SCHEDULE	SOCKET/BUTT WELD SW/BW
5368	40	SW, BW
	80	
	160	
	XX	
53612	40	SW, BW
	80	
	160	
	XX	
53616	40	SW, BW
	80	
	160	
	XX	
CODE		
XX-YYYYZW		
EXAMPLE: 5368-160BW		

TABLE 3 - HOUSING MATERIAL

	ALUMINUM	5K
A	303 STAINLESS	6K
G	17-4	10K, 15K, 20K
T	316 STAINLESS	6K, 10K, 15K
P	17-4	10K, 15K, 20K
B	BRASS	CALL FACTORY
M	MONEL	6K, 10K, 15K
D	DUPLEX	6K, 10K, 15K
S	SUPER DUPLEX	10K, 15K, 20K

TABLE 4 - ELEMENT CODE

A	CELLULOSE
F	GLASS FIBER
G	316 STAINLESS WIRE MESH
P	316 SINTERED
R	316 RANDOM METAL FIBER™
N	NICKEL 200/201 SINTERED
W	NICKEL 200/201 WIRE MESH
B	SINTERED TIN/BRONZE

Registered trademark of BEKIPOR

TABLE 5 - MICRON CODE

	CODE XX	NOM.	ABS.	ELEMENT CODE		
WIRE MESH	2X	2	10	G		
	02	2	12			
	05	5	18			
	RMF	10	10	25	G,W	
		20	20	40		
		40	40	75		
		75	75	100		
100		100	200			
GLASS FIBER β Rating ≥ 200	200	200	300	G		
	1	-	1			
	3	-	3			
	5	-	5			
CELLULOSE	10	-	10	R		
	20	-	20			
	100	-	100			
	B1	-	1			
	B3	-	3			
SINTERED	B5	-	5	F		
	B10	-	10			
	B25	-	25			
	03	3	-			
SINTERED	10	10	-	A		
	25	25	-			
	0.2	0.2	1.4			
SINTERED	0.5	0.3	2.2	P		
	1	0.7	3.3			
	2	2	9			
	5	5	13			
	10	13	20			
	20	20	35			
	SINTERED	2	2		9	N
		5	5		13	
		10	13		20	
	SINTERED	10	10		15	B
20		20	27			
40		40	52			
SINTERED	100	100	100	B		

TABLE 8 - ACCESSORIES

DR-1	1/8"-27 FNPT BOWL DRAIN*
DR-2	1/4"-18 FNPT BOWL DRAIN*
DR-3	SAE AS5202-02 BOWL DRAIN*
DR-4	SAE AS5202-04 BOWL DRAIN*
DRCT4	1/4" MP BOWL DRAIN
DRCT6	3/8" MP BOWL DRAIN
SEE TABLE 8a	ELECTRICAL INDICATOR***
SEE TABLE 8a/c	ELEC. INDICATOR + BYPASS VALVE***
SEE TABLE 8c	BYPASS VALVE**
S1	1/8"-27 FNPT DP PORTS*
S2	1/4"-18 FNPT DP PORTS*
S3	SAE AS5202-02 DP PORTS*
S4	SAE AS5202-04 DP PORTS*
SCT4	1/4" MP DP PORTS
SCT6	3/8" MP DP PORTS
SEE TABLE 8c	VISUAL INDICATOR***
SEE TABLE 8b/c	VISUAL INDICATOR + BYPASS VALVE***
*Not available on 20K	
** Seal Kit Available see Table 8a/b/c for code	

TABLE 8a **TABLE 8b** **TABLE 8c**

CODE	ACTIVATION PRESSURE	CODE	ACTIVATION PRESSURE	CODE	ACTIVATION PRESSURE
EE	40 PSID	V	40 PSID	R	50 PSID
EE20	20 PSID	V15	15 PSID	R25	25 PSID
EE75	75 PSID	V80	80 PSID	R150	150 PSID
		V120	120 PSID		
FOR COMBINATION ACCESSORIES SEE EXAMPLES BELOW					
EXAMPLE:		EE75R150	V120R150		

ASSEMBLY: 1 2/2a 3 4 — 5 6 7 8/8a/b/c

ASSEMBLY: —

EXAMPLE: 45 95S T G — 20 D N — EER

REPLACEMENT ELEMENT: 536 —

EXAMPLE: 536 G — 20 D N

SEAL KIT: **KIT -** **-536-** **-**

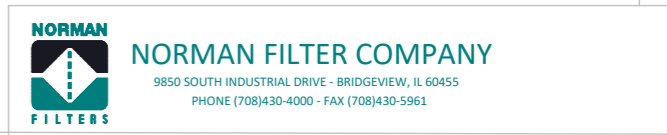
EXAMPLE: **KIT -** 45 **-536-** N **-** EER

REVISIONS			
DRAWING REV.	DESCRIPTION	DATE	APPROVED
K	ECO 2347: ADDED MEDIA GRADE 02	9/25/19	JB
K1	ECO 2786: UPDATED MICRON RATING OPTIONS	3/10/20	JB
K2	ECO 2788: UPDATED TEFLON TO PTFE	3/12/20	TJ

UNLESS OTHERWISE SPECIFIED DIMENSIONS ARE IN INCHES

TOLERANCES ON:
2 PLACE DECIMAL: .XX +/-0.01
3 PLACE DECIMAL: .XXX +/-0.005
ANGULAR: +/- 0.5°

PART TO BE FREE OF BURRS
REMOVE SHARP EDGES (FILLET 0.005" - 0.020") MEASUREMENT NOT REQUIRED
SURFACE FINISH 125 Ra UNLESS NOTED, VISUAL INSPECTION ONLY REQUIRED
IF PART REVISION IS NOT SPECIFIED, PART REV. MATCHES DRAWING REV.
NFC WORKMANSHIP STANDARD DMF01-24 APPLIES



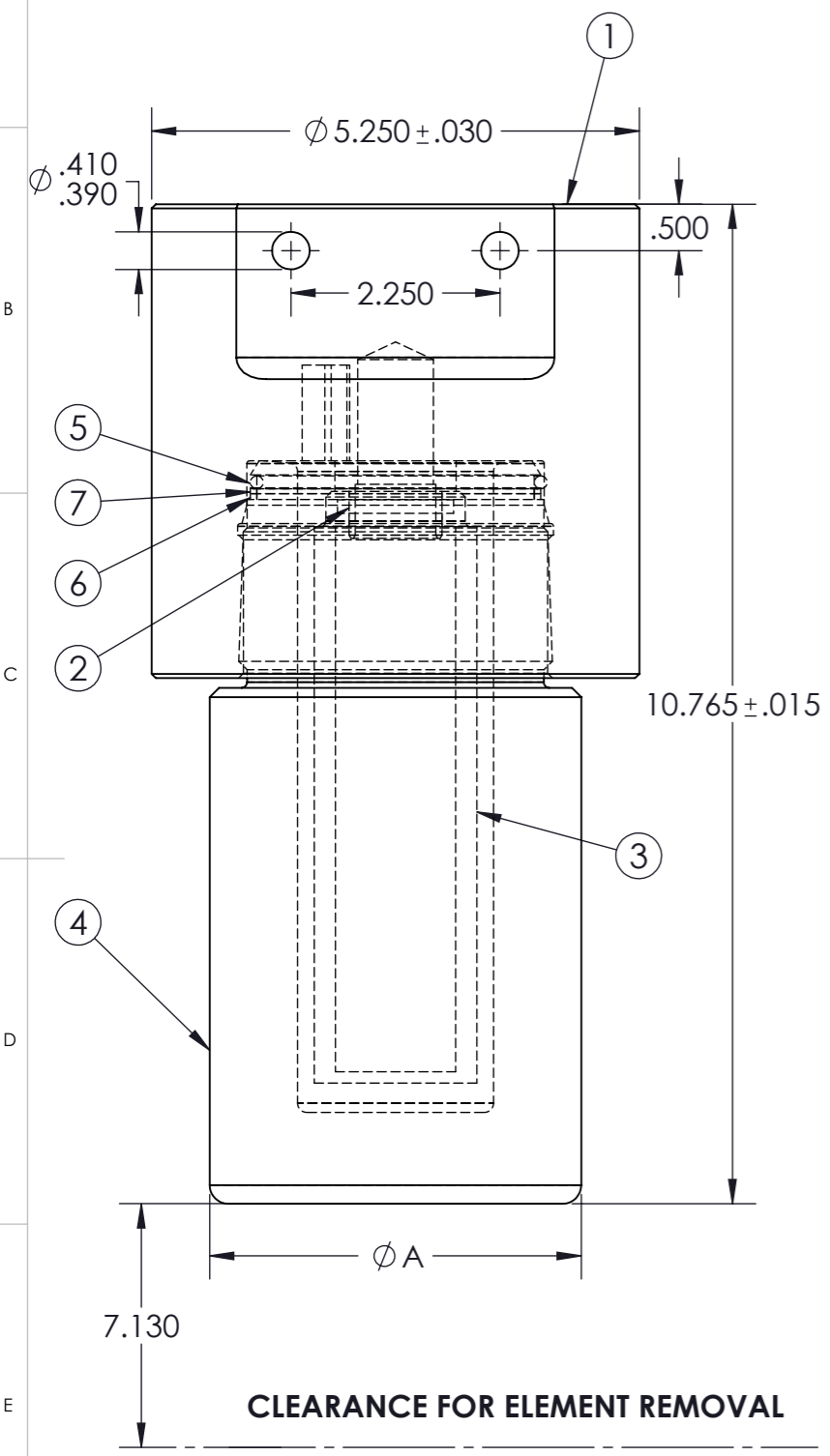
TITLE: 536 ASSEMBLY	
PART NUMBER: TABULATED	PART REV: K
DWG NO. 536_ASSEMBLY	CAGE CODE 59165
SIZE A3	

DO NOT SCALE DRAWING

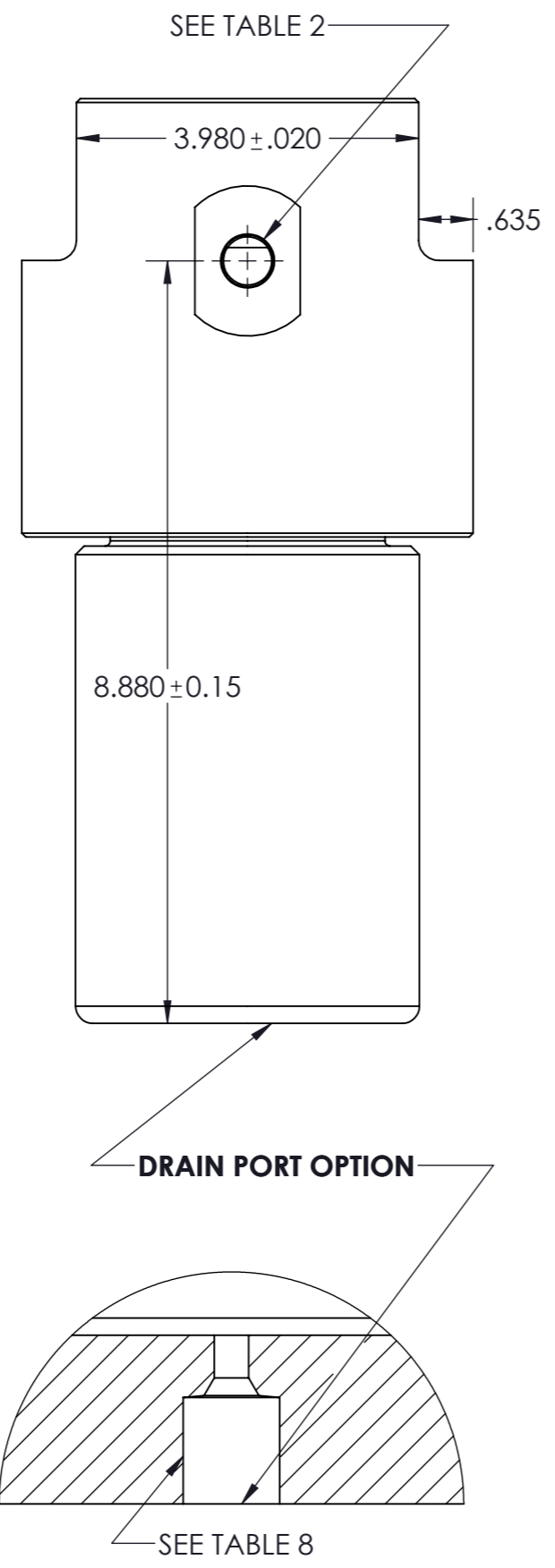
SCALE:1:16

SHEET 1 OF 5

14600, 34600, 54600

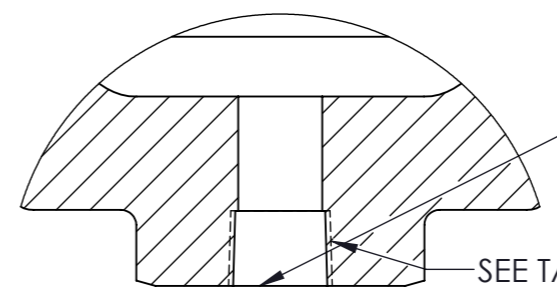
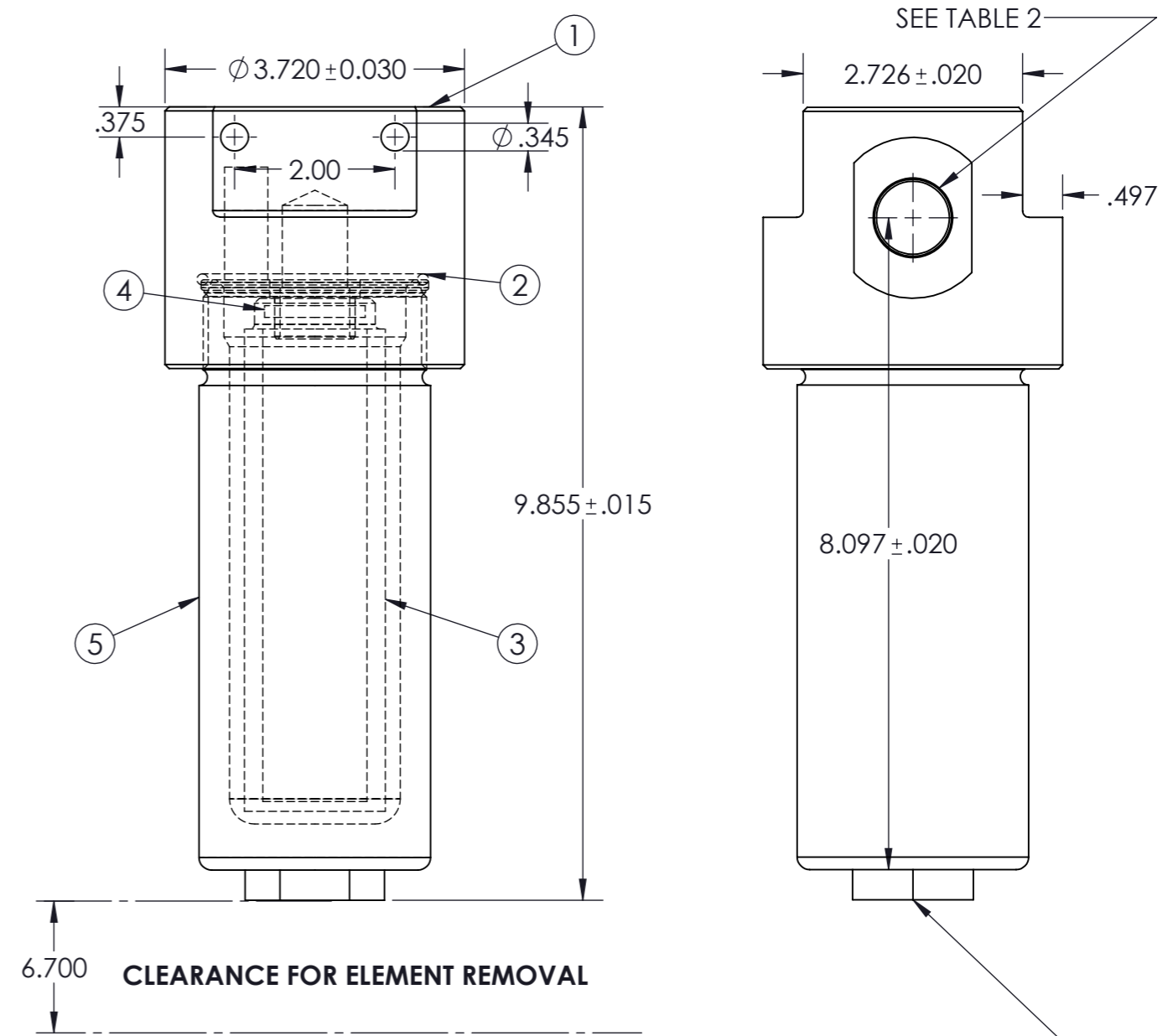


PRESSURE	BOWL DIAMETER A	MINIMUM WALL THICKNESS "T"
10K	4.00	.635
15K	4.25	
20K	4.50	



	BRASS	ALL OTHER MATERIALS
A	$2.00 \pm .01$	$1.992 \pm .005$
B	$4.250 \pm .005$	$3.720 \pm .030$
C	$9.780 \pm .015$	$9.855 \pm .015$
D	$8.075 \pm .020$	$8.097 \pm .020$
MINIMUM WALL THICKNESS "T"	.274	

4500



UNLESS OTHERWISE SPECIFIED DIMENSIONS ARE IN INCHES

TOLERANCES ON:
 2 PLACE DECIMAL: .XX +/-0.01
 3 PLACE DECIMAL: .XXX +/-0.005
 ANGULAR: +/- 0.5°

 PART TO BE FREE OF BURRS
 REMOVE SHARP EDGES (FILLET 0.005" - 0.020") MEASUREMENT NOT REQUIRED
 SURFACE FINISH 125 Ra UNLESS NOTED, VISUAL INSPECTION ONLY REQUIRED
 IF PART REVISION IS NOT SPECIFIED, PART REV. MATCHES DRAWING REV.
 NFC WORKMANSHIP STANDARD DMF01-24 APPLIES

NORMAN FILTERS
 NORMAN FILTER COMPANY
 9850 SOUTH INDUSTRIAL DRIVE - BRIDGEVIEW, IL 60455
 PHONE (708)430-4000 - FAX (708)430-5961

TITLE:
536 ASSEMBLY

PART NUMBER:
TABULATED

DWG NO.
536_ASSEMBLY

CAGE CODE
59165

PART REV:
K

SIZE
A3

14600, 34600, 54600 Bill of Material

TABLE A - O-RING TYPE		
Filter Assembly Code	O-Ring Material	O-Ring Part # Code XX
M	PTFE	01
M1	PTFE per AMS 3678C-1-B	02
E	EPR	03
E1	V1238-95	04
S	SILICONE	05
L	BUNA, 70 DUROMETER	06
K	BUNA, 90 DUROMETER	07
HNBR	HNBR	15
H	4079 KALREZ™	16
N	VITON	18
MN	PTFE COATED VITON	18-01

4500 Bill of Material

CONTINUING THE EXAMPLE FROM SHEET 1

Item #	Part #	DESCRIPTION	Material	Qty.
1	4595ST	HEAD, FILTER	316 STAINLESS STEEL	1
2	523118	O-RING, HOUSING	VITON	1
3	536G-20DN	ELEMENT, FILTER	316 STAINLESS WIRE MESH	1
4	521418	O-RING, ELEMENT	VITON	1
5	45543I	BOWL, FILTER	316 STAINLESS STEEL	1

FROM TABLE D(SHEET 5) AND 3(SHEET 1) →

SHEET 1 REPLACEMENT ELEMENT →

FROM TABLE 3 →

FROM TABLE A →

Item #	Part #	DESCRIPTION	Material	Qty.
1	345XXY	HEAD, FILTER	TABLE 3 (SHEET 1) AND TABLE C (SHEET 4)	1
2	5214XX	ELEMENT O-RING	TABLE A (SHEET 3)	1
3	536X-XXX	ELEMENT, FILTER	REPLACEMENT ELEMENT (SHEET 1)	1
4	346543Y-NS-XXK	BOWL, FILTER	TABLE 3 (SHEET 1) AND TABLE B (SHEET 2)	1
5	5234XX	BOWL O-RING	TABLE A (SHEET 3) ^A	1
6	523402 ^B	PTFE BACKUP BOWL O-RING	PTFE BACK-UP RING	1
7	8-234 ^B	PARBAK BACKUP BOWL O-RING	BUNA, 90 DUROMETER	1

Item #	Part #	DESCRIPTION	Material	Qty.
1	45XXY	HEAD, FILTER	TABLE D(SHEET 5) and 3(SHEET 1)	1
2	5231XX	O-RING, HOUSING	TABLE A	1
3	536X-XXX	ELEMENT, FILTER	SHEET 1 REPLACEMENT ELEMENT	1
4	5214XX	O-RING, ELEMENT	TABLE A	1
5	45543Y	BOWL, FILTER	TABLE 3	1

^ASOLID PTFE O-RINGS ARE NOT TO BE USED ON BOWLS.
PTFE COATED VITON O-RINGS MAY BE USED.
^BALWAYS THE SAME

UNLESS OTHERWISE SPECIFIED
DIMENSIONS ARE IN INCHES

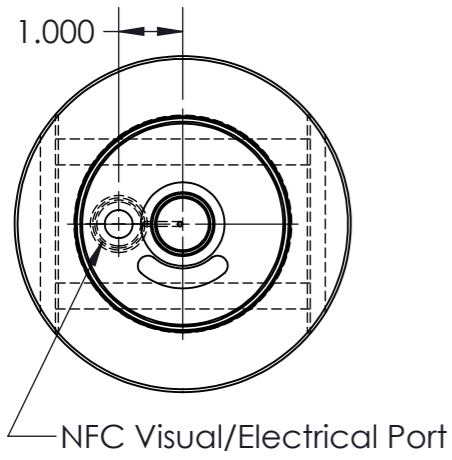
TOLERANCES ON:
2 PLACE DECIMAL: .XX +/-0.01
3 PLACE DECIMAL: .XXX +/-0.005
ANGULAR: +/- 0.5°

PART TO BE FREE OF BURRS
REMOVE SHARP EDGES (FILLET 0.005" - 0.020") MEASUREMENT NOT REQUIRED
SURFACE FINISH 125 Ra UNLESS NOTED, VISUAL INSPECTION ONLY REQUIRED
IF PART REVISION IS NOT SPECIFIED, PART REV. MATCHES DRAWING REV.
NFC WORKMANSHIP STANDARD DMF01-24 APPLIES

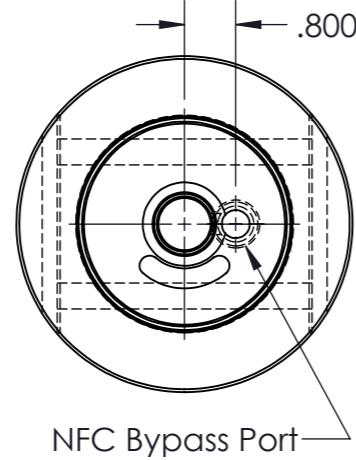


TITLE: 536 ASSEMBLY		PART REV: K
PART NUMBER: TABULATED		
DWG NO. 536_ASSEMBLY	CAGE CODE 59165	SIZE A3

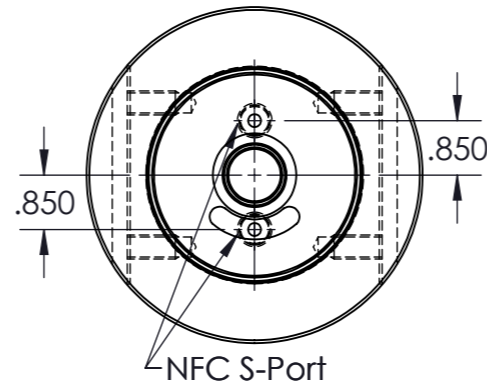
#1 Visual



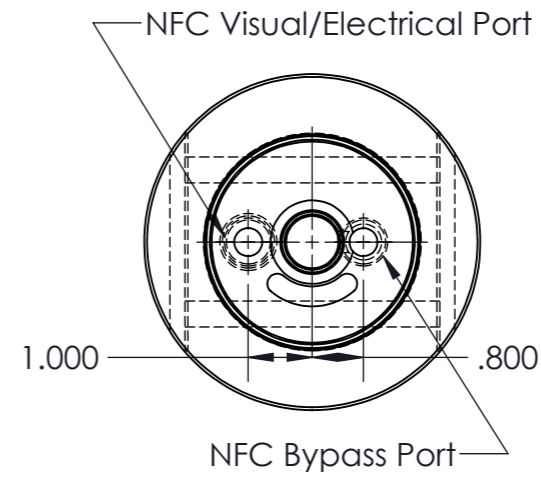
#2 Bypass



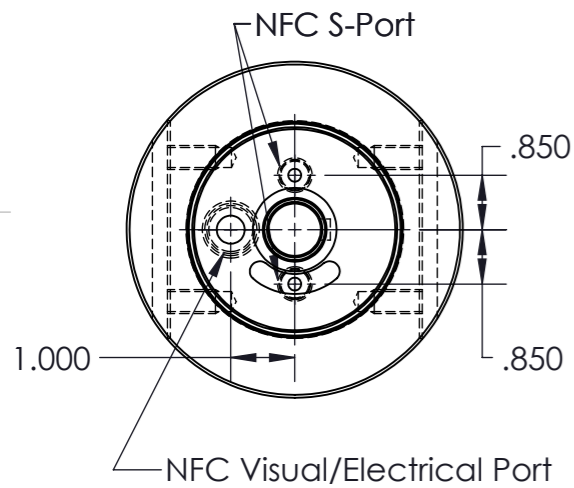
#3 S-Ports



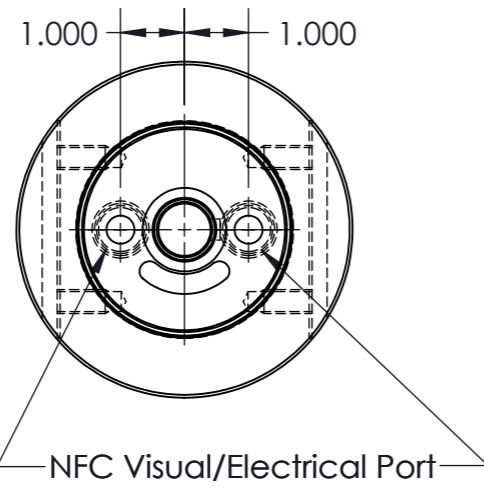
#4 Visual & Bypass



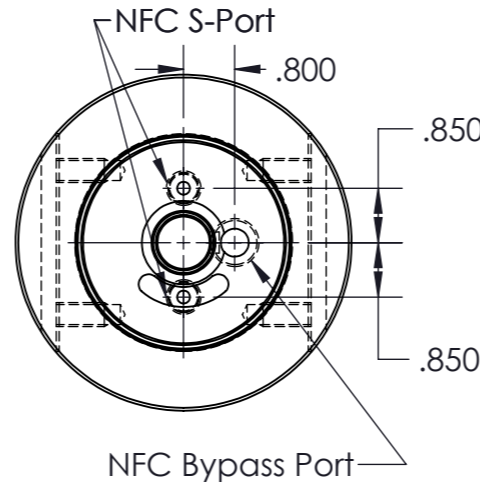
#5 Visual/Electrical and S-Ports



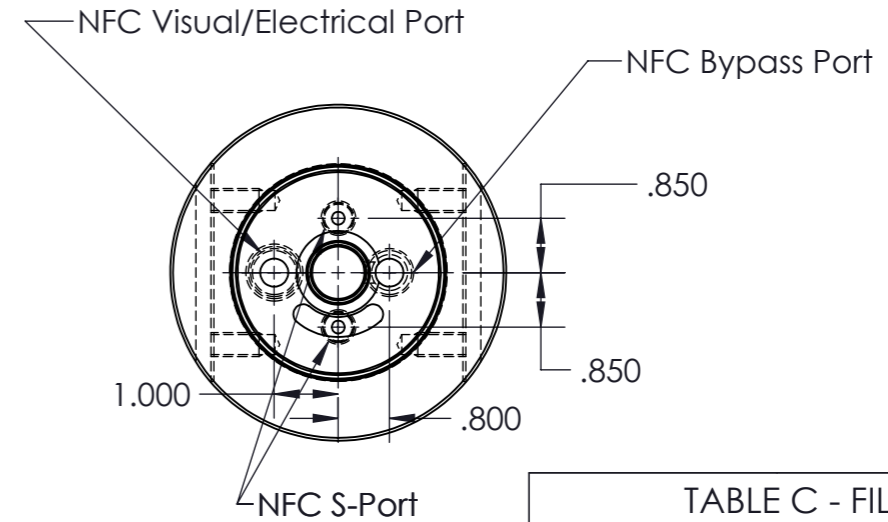
#6 Visual/Electrical x 2



#7 Bypass and S-Ports



#8 Visual Bypass and S-Ports



14500, 34500, 54500 ACCESSORY PORTS

P/N Prefix	P/N Suffix(es)	Description	Top View Figure#
346XXY	NV-NS	Visual/Electrical Indicator Ports	1
	R-NS	Bypass Port	2
	NS-S*	S-Ports	3
	NVR-NS	Visual/Electrical and Bypass Ports	4
	NV-NS-S*	Visual/Electrical and S-ports	5
	NV-NV-NS	Visual and Visual Indicator	6
	R-NS-S*	Bypass and S-ports	7
	NVR-NS-S*	Visual/Electrical Bypass and S-ports	8

Code 'Y'	Material
G303	303 S.S.
G	17-4 PH
T	316 S.S.

Port Code 'XX'	Port Type
32	1/4"-18 FNPT
35	1/2"-14 FNPT
36	3/4"-14 FNPT
37	1"-11.5 FNPT
250	1/4" MEDIUM PRESSURE
375	3/8" MEDIUM PRESSURE
562	9/16" MEDIUM PRESSURE
750	3/4" MEDIUM PRESSURE
1.00	1" MEDIUM PRESSURE



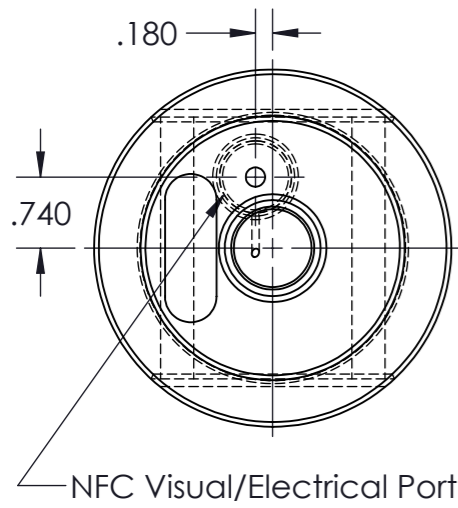
UNLESS OTHERWISE SPECIFIED DIMENSIONS ARE IN INCHES

TOLERANCES ON:
 2 PLACE DECIMAL: .XX +/-0.01
 3 PLACE DECIMAL: .XXX +/-0.005
 ANGULAR: +/- 0.5°

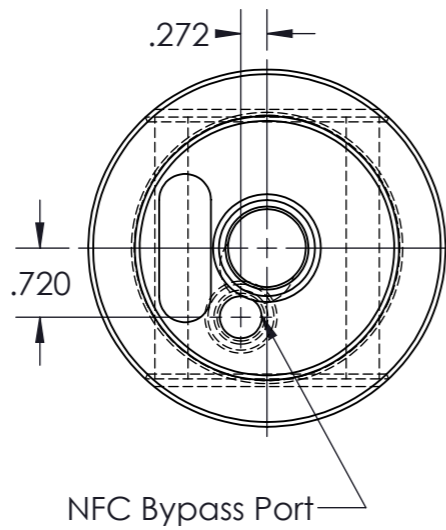
 PART TO BE FREE OF BURRS
 REMOVE SHARP EDGES (FILLET 0.005" - 0.020") MEASUREMENT NOT REQUIRED
 SURFACE FINISH 125 Ra UNLESS NOTED, VISUAL INSPECTION ONLY REQUIRED
 IF PART REVISION IS NOT SPECIFIED, PART REV. MATCHES DRAWING REV.
 NFC WORKMANSHIP STANDARD DMF01-24 APPLIES

TITLE: 536 ASSEMBLY		PART REV: K
PART NUMBER: TABULATED		DWG NO. 536_ASSEMBLY
CAGE CODE 59165	SIZE A3	

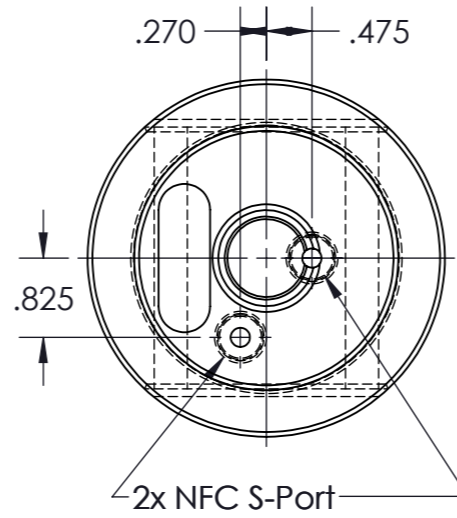
#1 Visual/Electrical Indicator Port



#2 Bypass Port



#3 Standard S-ports



#4 Visual/Electrical and Bypass Ports

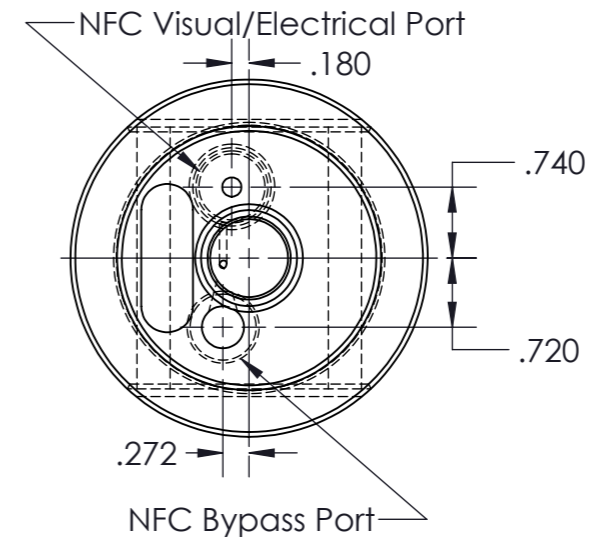
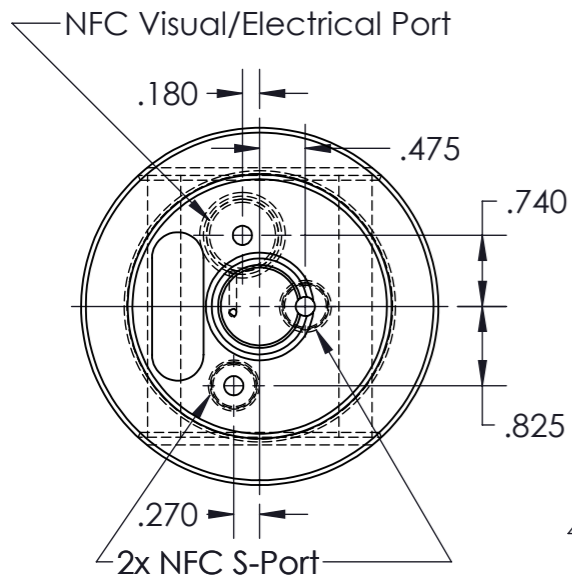
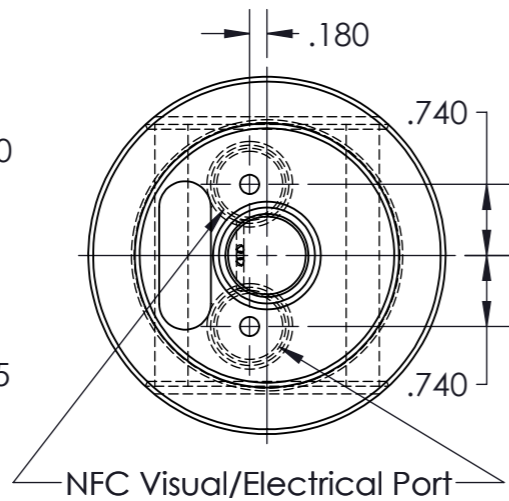


TABLE D - FILTER HEAD	
Port Code 'xx'	Port Type
32	1/4"-18 FNPT
35	1/2"-14 FNPT
36	3/4"-14 FNPT
37	1"-11.5 FNPT
4S	SAE AS5202-04
6S	SAE AS5202-06
45S	SAE AS5202-08
75S	SAE AS5202-12
76S	SAE AS5202-16
4J	SAE J-1926/1-4
6J	SAE J-1926/1-6
45J	SAE J-1926/1-8
75J	SAE J-1926/1-12
76J	SAE J-1926/1-16

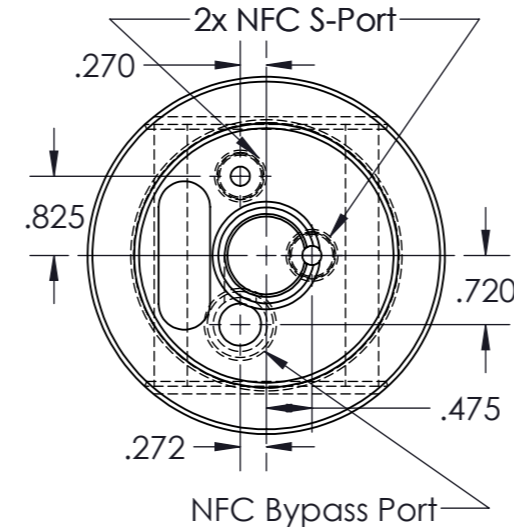
#5 Visual/Electrical Indicator Port with S-Ports



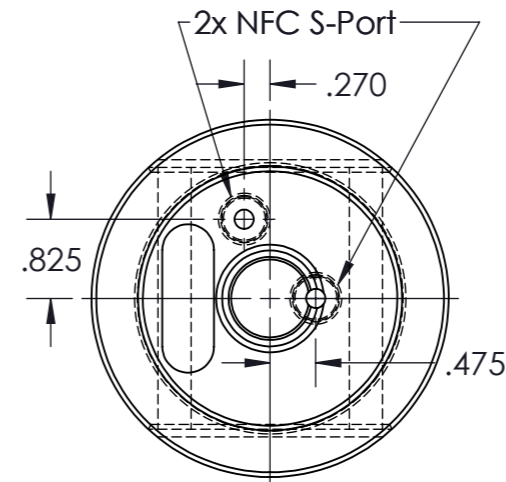
#6 2 Visual/Electrical Indicator Ports



#7 Bypass Port with S-Ports



#8 Reverse S-ports



Code 'y'	Material
A	7075 T-651 Aluminum
D	2205 Duplex
G	303 Stainless Steel
M	400 Monel
T	316 Stainless Steel

4500 ACCESSORY PORTS

P/N Prefix	P/N Suffix(es)	Description	Top View Figure #
45xy	NV	Visual/Electrical Indicator Ports	1
	R	Bypass Ports	2
	S*	S-Ports	3
	NVR	Visual/Electrical Indicator and Bypass Ports	4
	NV-S*	Visual/Electrical and S-Ports	5
	NV-NV	Visual and Visual Indicator	6
	R-S*	Bypass and reversed S-Ports	7
	RF	Reverse Flow	Not Depicted
	RF-S*	Reverse Flow with reversed S-Ports	8

UNLESS OTHERWISE SPECIFIED
DIMENSIONS ARE IN INCHES

TOLERANCES ON:
2 PLACE DECIMAL: .XX +/-0.01
3 PLACE DECIMAL: .XXX +/-0.005
ANGULAR: +/- 0.5°

PART TO BE FREE OF BURRS

REMOVE SHARP EDGES (FILLET 0.005" - 0.020") MEASUREMENT NOT REQUIRED
SURFACE FINISH 125 Ra UNLESS NOTED, VISUAL INSPECTION ONLY REQUIRED
IF PART REVISION IS NOT SPECIFIED, PART REV. MATCHES DRAWING REV.
NFC WORKMANSHIP STANDARD DMF01-24 APPLIES

NORMAN FILTERS
NORMAN FILTER COMPANY
9850 SOUTH INDUSTRIAL DRIVE - BRIDGEVIEW, IL 60455
PHONE (708)430-4000 - FAX (708)430-5961

TITLE:
536 ASSEMBLY

PART NUMBER:
TABULATED

PART REV:
K

DWG NO.
536_ASSEMBLY

CAGE CODE
59165

SIZE
A3

DO NOT SCALE DRAWING

SCALE:1:2

SHEET 5 OF 5