

# 586 SIZE

## 24 GPM/ 1200 SCFM

### 586 SIZE

**TABLE 1 - PRESSURE**

**TABLE 2 - PORT SIZE, TYPE**

45	5000 psi	92	1/4"-18 FNPT
45	6000 psi	90	1/2"-14 FNPT
147	10000 psi	86	3/4"-14 FNPT
347	15000 psi	37	1"-11.5 FNPT
547	20000 psi	43S	1/4" SAE AS5202-04
*10K, 15K, & 20K ONLY	63S	3/8" SAE AS5202-06	
	47S	1/2" SAE AS5202-08	
	96S	3/4" SAE AS5202-12	
	76S	1" SAE AS5202-16	
	43J	1/4" SAE J-1926/1-4	
	63J	3/8" SAE J-1926/1-6	
	47J	1/2" SAE J-1926/1-8	
	96J	3/4" SAE J-1926/1-12	
	76J	1" SAE J-1926/1-16	
	250	1/4" MEDIUM PRESSURE*	
	375	3/8" MEDIUM PRESSURE*	
	562	9/16" MEDIUM PRESSURE*	
	750	3/4" MEDIUM PRESSURE*	
	1.00	1" MEDIUM PRESSURE*	

SEE TABLE 2a

SOCKET WELD PER ASME B16.11  
BUTT WELD PER ASME B16.25

\*\*NFC 147, 347, 547 Series Filters are designed for high pressure (up to 20,000 psi), port and accessory options may limit MAX Pressure.

**TABLE 2a - WELD SPECIFICATION**

PORT SIZE, X/16 SCALE	PIPE SCHEDULE	SOCKET/BUTT WELD SW/BW
5868	40	SW, BW
	80	
	160	
	XX	
58612	40	SW, BW
	80	
	160	
	XX	
58616	40	SW, BW
	80	
	160	
	XX	
	CODE	
	XX-YYYYZW	
<b>EXAMPLE:</b>	<b>5868-160BW</b>	

**TABLE 3 - HOUSING MATERIAL**

	ALUMINUM	5K
A	303 STAINLESS	6K
G	17-4	10K, 15K, 20K
T	316 STAINLESS	6K, 10K, 15K
P	17-4	10K, 15K, 20K
B	BRASS	CALL FACTORY
M	MONEL	6K, 10K, 15K
D	DUPLEX	6K, 10K, 15K
S	SUPER DUPLEX	10K, 15K, 20K

**TABLE 4 - ELEMENT CODE**

	CELLULOSE
A	GLASS FIBER
F	316 STAINLESS WIRE MESH
G	316 SINTERED
P	316 RANDOM METAL FIBER™
R	NICKEL 200/201 SINTERED
N	NICKEL 200/201 WIRE MESH
W	SINTERED TIN/BRONZE
B	

Registered trademark of BEKIPOR

**TABLE 8 - ACCESSORIES**

DR-1	1/8"-27 FNPT BOWL DRAIN*
DR-2	1/4"-18 FNPT BOWL DRAIN*
DR-3	SAE AS5202-02 BOWL DRAIN*
DR-4	SAE AS5202-04 BOWL DRAIN*
DRCT4	1/4" MP BOWL DRAIN
DRCT6	3/8" MP BOWL DRAIN
SEE TABLE 8a	ELECTRICAL INDICATOR**
SEE TABLE 8a/c	ELEC. INDICATOR + BYPASS VALVE***
SEE TABLE 8c	BYPASS VALVE**
S1	1/8"-27 FNPT DP PORTS*
S2	1/4"-18 FNPT DP PORTS*
S3	SAE AS5202-02 DP PORTS*
S4	SAE AS5202-04 DP PORTS*
SCT4	1/4" MP DP PORTS
SCT6	3/8" MP DP PORTS
SEE TABLE 8c	VISUAL INDICATOR**
SEE TABLE 8b/c	VISUAL INDICATOR + BYPASS VALVE***
*Not available on 20K	
** Seal Kit Available see Table 8a/b/c for code	

TABLE 8a		TABLE 8b		TABLE 8c	
CODE	ACTIVATION PRESSURE	CODE	ACTIVATION PRESSURE	CODE	ACTIVATION PRESSURE
EE	40 PSID	V	40 PSID	R	50 PSID
EE20	20 PSID	V15	15 PSID	R25	25 PSID
EE75	75 PSID	V80	80 PSID	R150	150 PSID
		V120	120 PSID		
FOR COMBINATION ACCESSORIES SEE EXAMPLES BELOW					
<b>EXAMPLE:</b>		<b>EE75R150</b>		<b>V120R150</b>	

**TABLE 5 - MICRON CODE**

	CODE XX	NOM.	ABS.	ELEMENT CODE		
WIRE MESH	2X	2	10	G		
	02	2	12			
	05	5	18			
	10	10	25	G,W		
	20	20	40	G		
	40	40	75			
	75	75	100			
	100	100	200	G,W		
200	200	300	G			
RMF	1	-	1	R		
	3	-	3			
	5	-	5			
	10	-	10			
	20	-	20			
	100	-	100			
GLASS FIBER β Rating ≥ 200	B1	-	1	F		
	B3	-	3			
	B5	-	5			
	B10	-	10			
	B25	-	25			
CELLULOSE	03	3	-	A		
	10	10	-			
	25	25	-			
	CODE XX	GAS ABS.	LIQUID ABS.	ELEMENT CODE		
SINTERED	316	0.2	0.2	1.4	P	
		0.5	0.3	2.2		
		1	0.7	3.3		
		2	2	9		
		5	5	13		
	10	13	20			
	20	20	35			
	NICKEL	2	2	9		N
		5	5	13		
		10	13	20		
BRASS	10	10	15	B		
	20	20	27			
	40	40	52			
	100	100	100			

**TABLE 6 - COLLAPSE RATING**

D	4500 psi WIRE MESH
E	4500 psi RMF
A	300 psi GLASS FIBER
C	3250 psi GLASS FIBER
P	150 psi CELLULOSE
R	300 psi CELLULOSE
F	2000 psi 316 SINTERED
K	NICKEL SINTERED
X	BRASS SINTERED

**TABLE 7 - O-RING MATERIAL**

M	PTFE
M1	PTFE PER AMS 3678C-1-B
E	ETHYLENE PROPYLENE
E1	V1238-95
S	SILICONE
L	BUNA-N
K	90 DUROMETER NITRILE
HNBR	HNBR
H	4079 KALREZ™
N	VITON
MN	PTFE COATED VITON

ASSEMBLY:     —    —

EXAMPLE: 45 96S T G — 20 D N — EER

REPLACEMENT ELEMENT: 586  —

EXAMPLE: 586 G — 20 D N

SEAL KIT: KIT -  -586-  -

EXAMPLE: KIT - 45 -586- N - EER

REVISIONS			
DRAWING REV.	DESCRIPTION	DATE	APPROVED
L	ECO 2347: ADDED MEDIA GRADE 02	9/25/19	JB
L1	ECO 2786: UPDATED MICRON RATING OPTIONS	3/10/20	JB
L2	ECO 2788: UPDATED TEFLON TO PTFE	3/12/20	TJ

UNLESS OTHERWISE SPECIFIED DIMENSIONS ARE IN INCHES

TOLERANCES ON:  
2 PLACE DECIMAL: .XX +/-0.01  
3 PLACE DECIMAL: .XXX +/-0.005  
ANGULAR: +/- 0.5°

PART TO BE FREE OF BURRS  
REMOVE SHARP EDGES (FILLET 0.005" - 0.020") MEASUREMENT NOT REQUIRED SURFACE FINISH 125 Ra UNLESS NOTED, VISUAL INSPECTION ONLY REQUIRED IF PART REVISION IS NOT SPECIFIED, PART REV. MATCHES DRAWING REV. NFC WORKMANSHIP STANDARD DMF01-24 APPLIES



TITLE: 586 ASSEMBLY

PART NUMBER: TABULATED

DWG NO. 586\_ASSEMBLY

CAGE CODE 59165

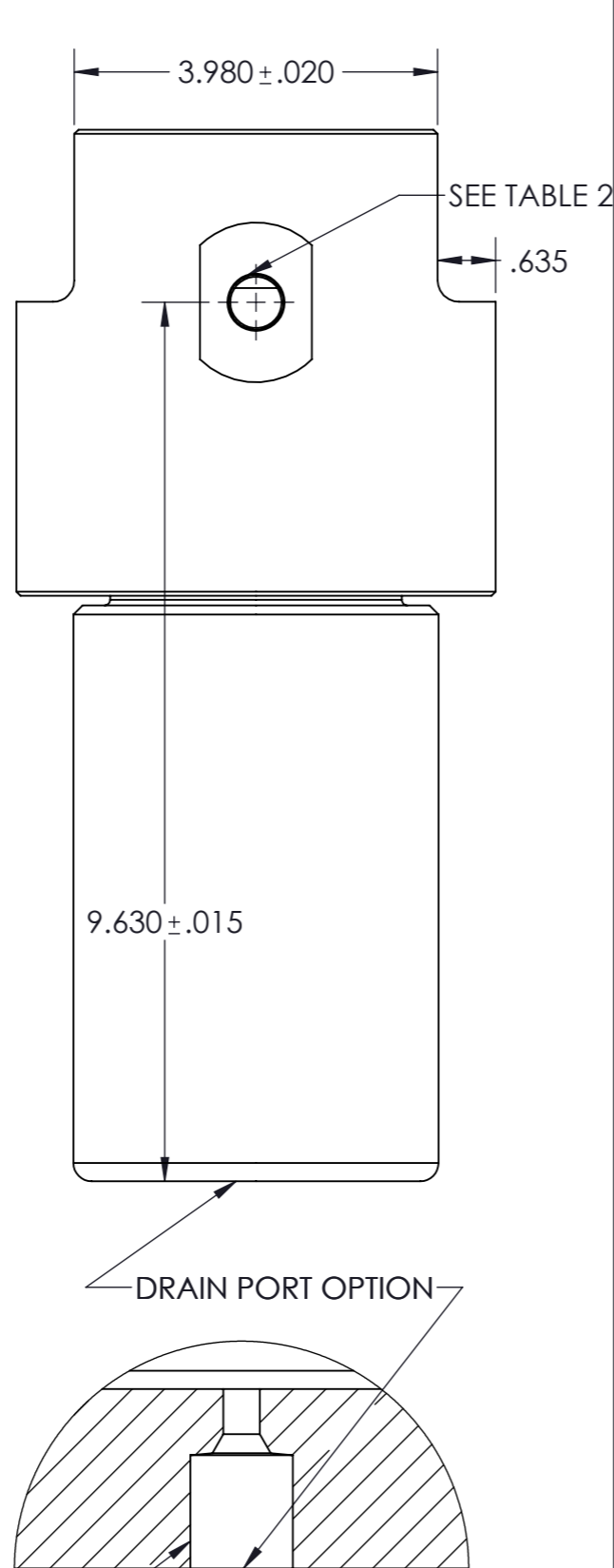
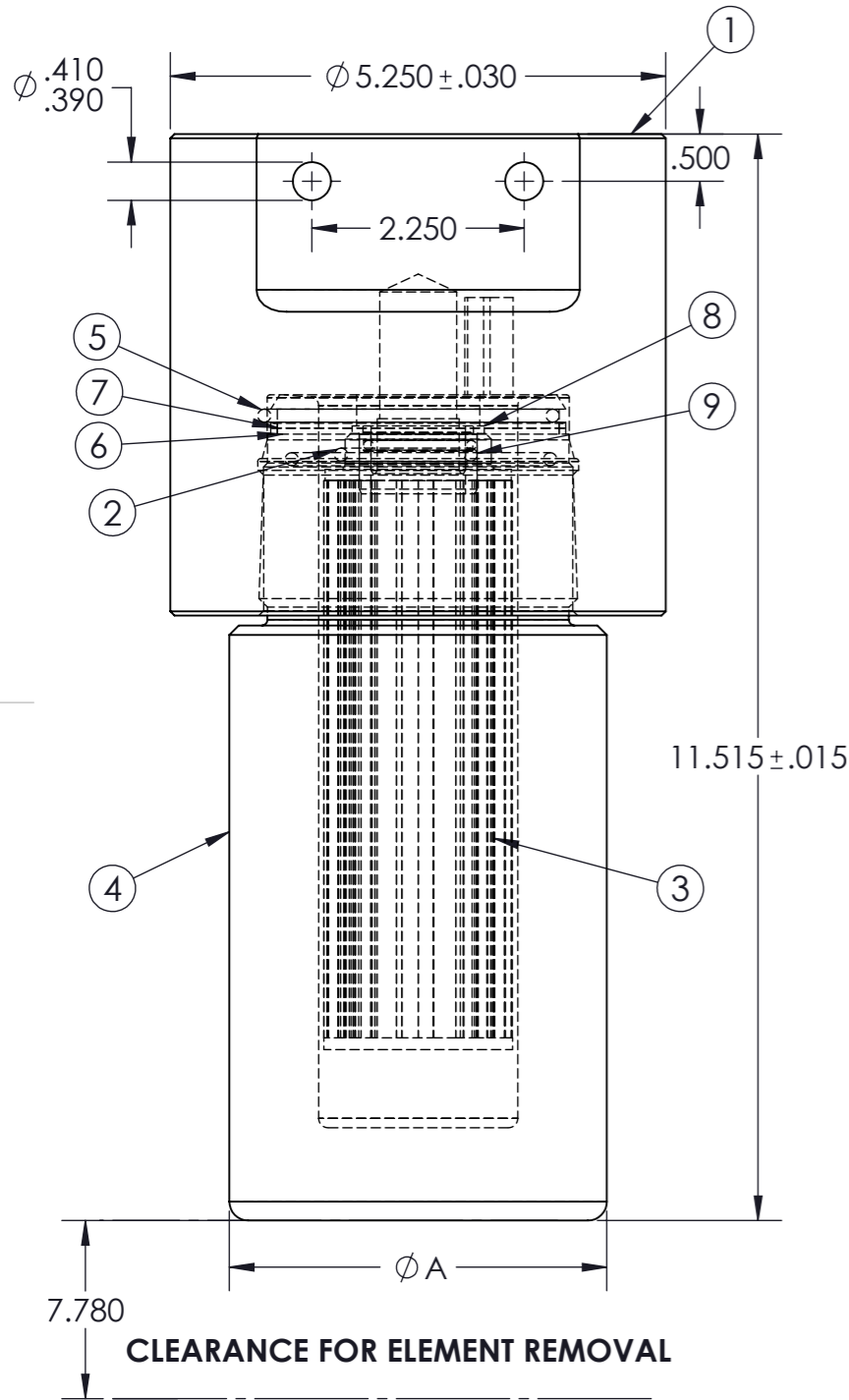
SIZE A3

DO NOT SCALE DRAWING

SCALE:1:16

SHEET 1 OF 5

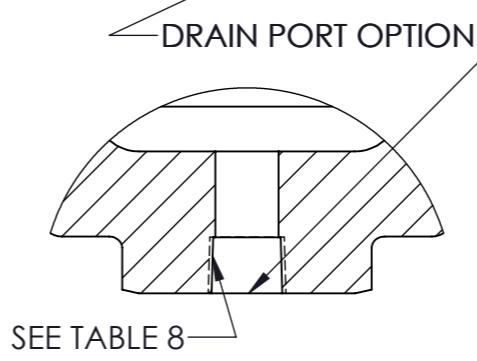
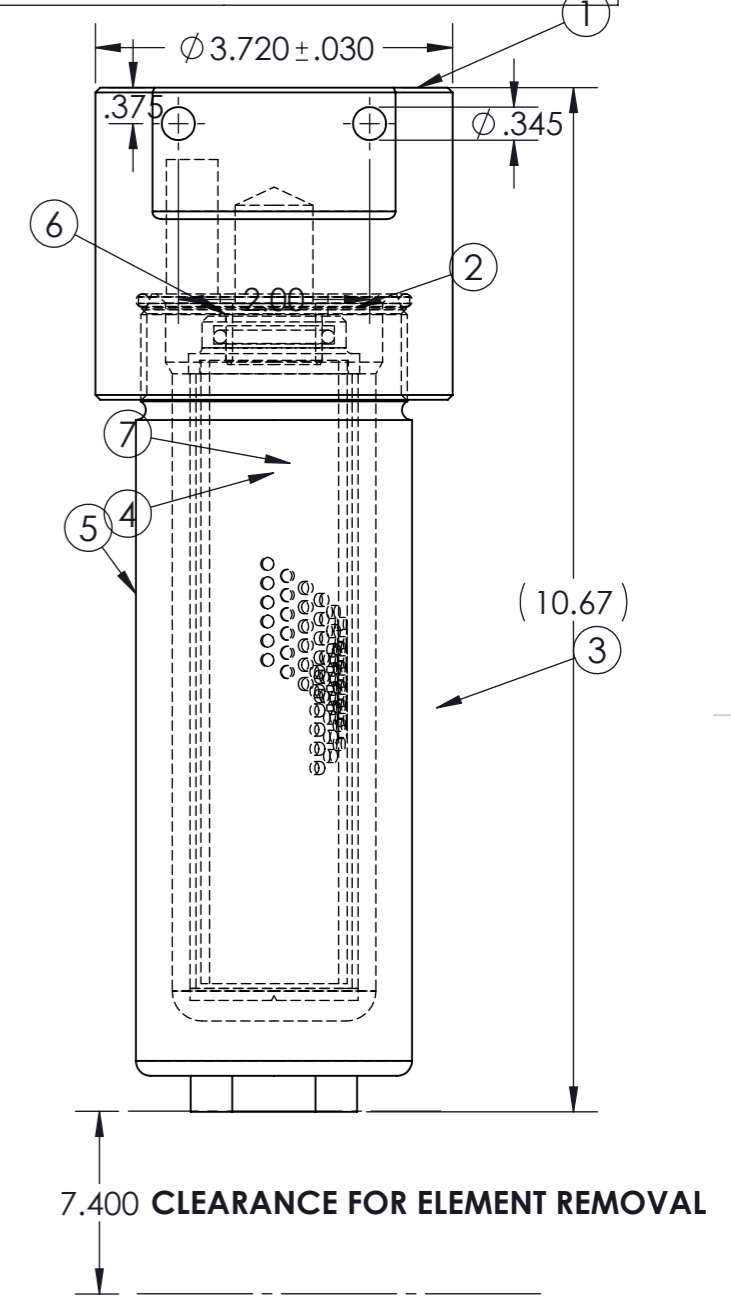
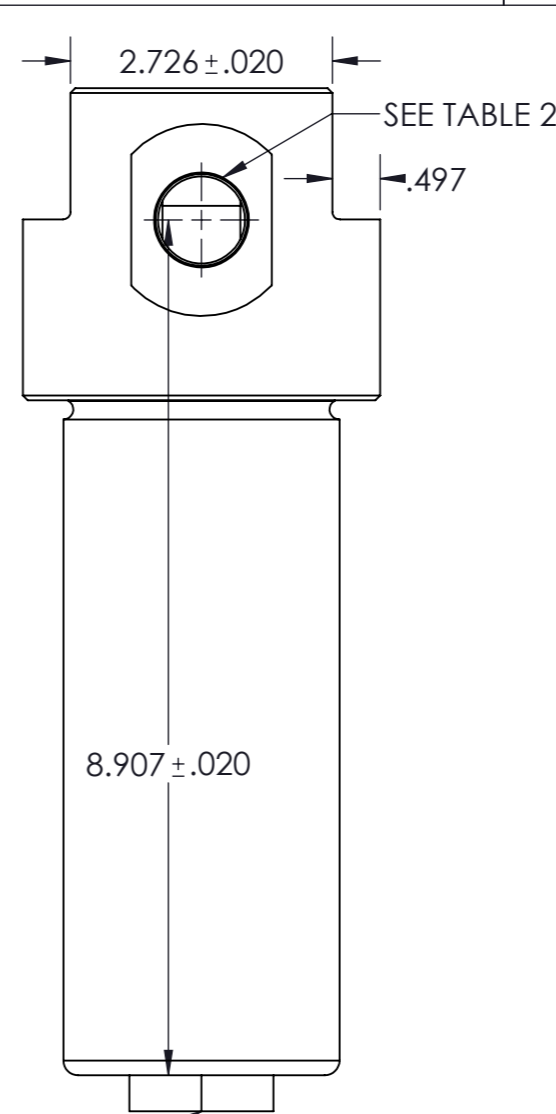
# 14700, 34700, 54700



PRESSURE	BOWL DIAMETER A	MINIMUM WALL THICKNESS "T"
10K	4.00	0.555
15K	4.25	
20K	4.50	

# 4500

	BRASS	ALL OTHER MATERIALS
A	2.00 ± .01	1.992 ± .005
B	4.250 ± .005	3.720 ± .030
C	(10.545)	(10.67)
D	8.840 ± .020	8.907 ± .020
MINIMUM WALL THICKNESS "T"	.274	



UNLESS OTHERWISE SPECIFIED DIMENSIONS ARE IN INCHES

TOLERANCES ON:  
 2 PLACE DECIMAL: .XX +/- .01  
 3 PLACE DECIMAL: .XXX +/- .005  
 ANGULAR: +/- 0.5°

-----  
 PART TO BE FREE OF BURRS  
 REMOVE SHARP EDGES (FILLET 0.005" - 0.020") MEASUREMENT NOT REQUIRED  
 SURFACE FINISH 125 Ra UNLESS NOTED, VISUAL INSPECTION ONLY REQUIRED  
 IF PART REVISION IS NOT SPECIFIED, PART REV. MATCHES DRAWING REV.  
 NFC WORKMANSHIP STANDARD DMF01-24 APPLIES

**NORMAN FILTERS**  
**NORMAN FILTER COMPANY**  
 9850 SOUTH INDUSTRIAL DRIVE - BRIDGEVIEW, IL 60455  
 PHONE (708)430-4000 - FAX (708)430-5961

TITLE: 586 ASSEMBLY		PART REV: L
PART NUMBER: TABULATED		SIZE A3
DWG NO. 586_ASSEMBLY	CAGE CODE 59165	

# 14700, 34700, 54700 Bill of Material

# 4500 Bill of Material

TABLE A - O-RING TYPE		
Filter Assembly Code	O-Ring Material	O-Ring Part # Code XX
M	PTFE	01
M1	PTFE per AMS 3678C-1-B	02
E	EPR	03
E1	V1238-95	04
S	SILICONE	05
L	BUNA, 70 DUROMETER	06
K	BUNA, 90 DUROMETER	07
HNBR	HNBR	15
H	4079 KALREZ™	16
N	VITON	18
MN	PTFE COATED VITON	18-01

### CONTINUING THE EXAMPLE FROM SHEET 1

Item #	Part #	DESCRIPTION	Material	Qty.
1	4596ST	HEAD, FILTER	316 STAINLESS STEEL	1
2	523118	O-RING, HOUSING	VITON	1
3	586G-20DN	ELEMENT, FILTER	316 STAINLESS WIRE MESH	1
4	521818	O-RING, ELEMENT	VITON	1
5	45622T	BOWL, FILTER	316 STAINLESS STEEL	1
6	44946T	ADAPTER, ELEMENT	316 STAINLESS STEEL	1
7	512018	O-RING, ELEMENT ADAPTER	VITON	1

FROM TABLE D(SHEET 5) AND 3(SHEET 1)

SHEET 1 REPLACEMENT ELEMENT

FROM TABLE 3

FROM TABLE A

Item #	Part #	DESCRIPTION	Material	Qty.
1	345XXY	HEAD, FILTER	TABLE 3 (SHEET 1) AND TABLE C (SHEET 4)	1
2	5218XX	ELEMENT O-RING	TABLE A (SHEET 3)	1
3	586X-XXX	ELEMENT, FILTER	REPLACEMENT ELEMENT (SHEET 1)	1
4	347622Y-NS-XXK	BOWL, FILTER	TABLE 3 (SHEET 1) AND TABLE B (SHEET 2)	1
5	5234XX	BOWL O-RING	TABLE A (SHEET 3) <sup>A</sup>	1
6	523402 <sup>B</sup>	PTFE BACKUP BOWL O-RING	PTFE	1
7	8-234 <sup>B</sup>	PARBAK BACKUP BOWL O-RING	BUNA, 90 DUROMETER	1
8	44946X	ADAPTER, ELEMENT	TABLE 3 (SHEET 1)	1
9	5120XX	ELEMENT ADAPTER O-RING	TABLE A (SHEET 3)	1

Item #	Part #	DESCRIPTION	Material	Qty.
1	45XXY	HEAD, FILTER	TABLE D(SHEET 5) and 3(SHEET 1)	1
2	5231XX	O-RING, HOUSING	TABLE A	1
3	586X-XXX	ELEMENT, FILTER	SHEET 1 REPLACEMENT ELEMENT	1
4	5218XX	O-RING, ELEMENT	TABLE A	1
5	45622Y	BOWL, FILTER	TABLE 3	1
6	44946X	ADAPTER, ELEMENT	TABLE 3	1
7	5120XX	O-RING, ELEMENT ADAPTER	TABLE A	1

<sup>A</sup>SOLID PTFE O-RINGS ARE NOT TO BE USED ON BOWLS.  
PTFE COATED VITON O-RINGS MAY BE USED.  
<sup>B</sup>ALWAYS THE SAME

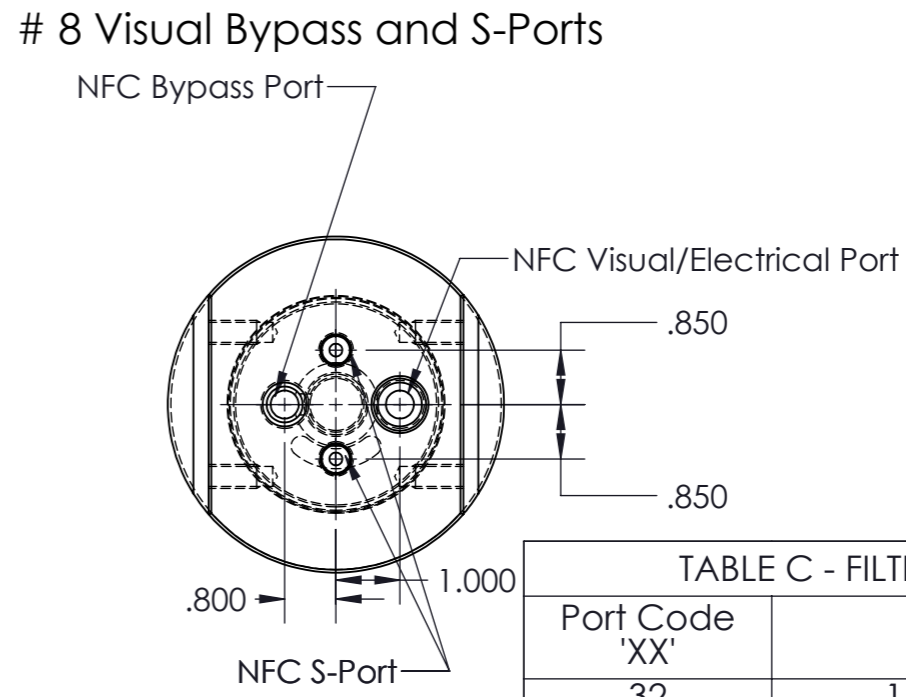
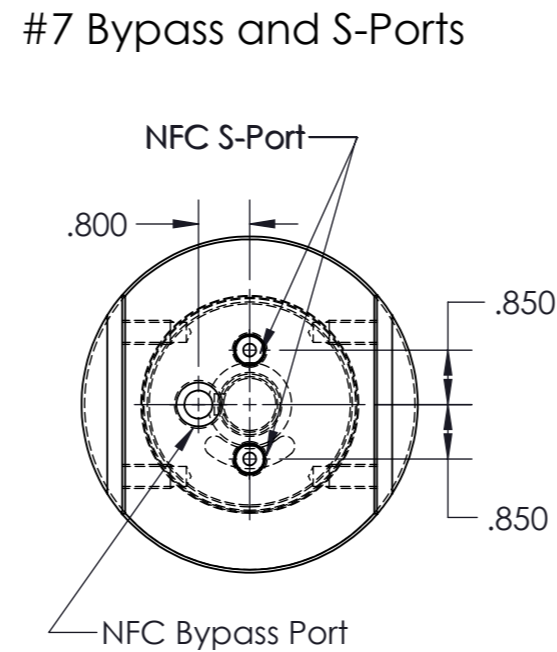
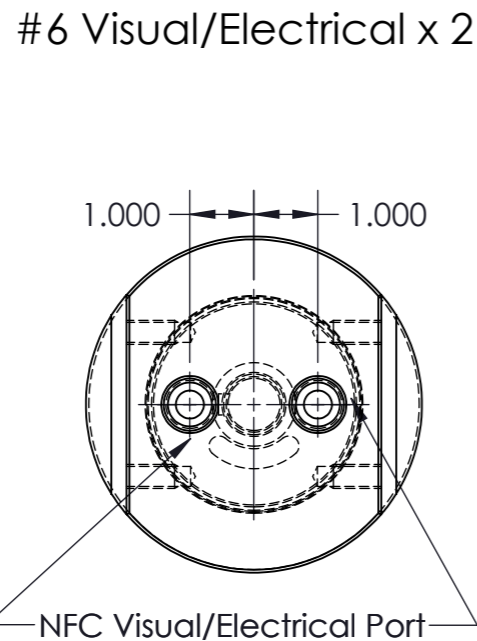
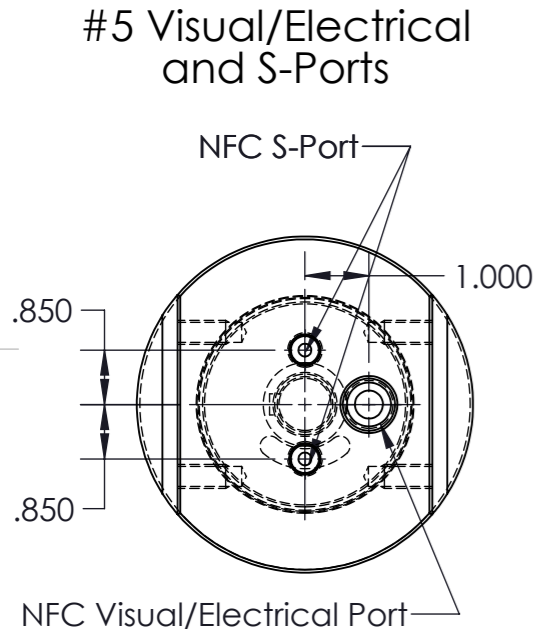
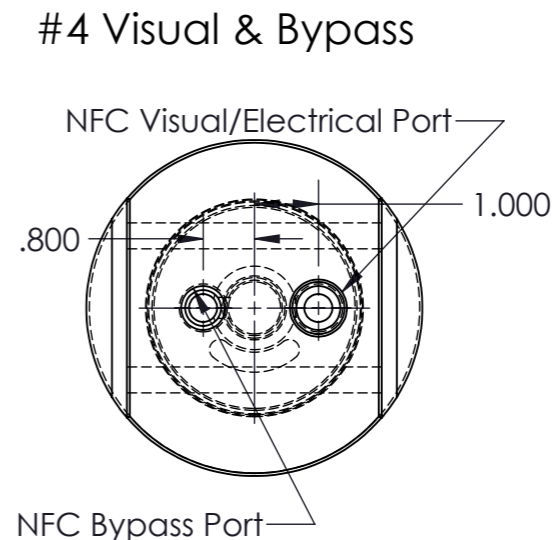
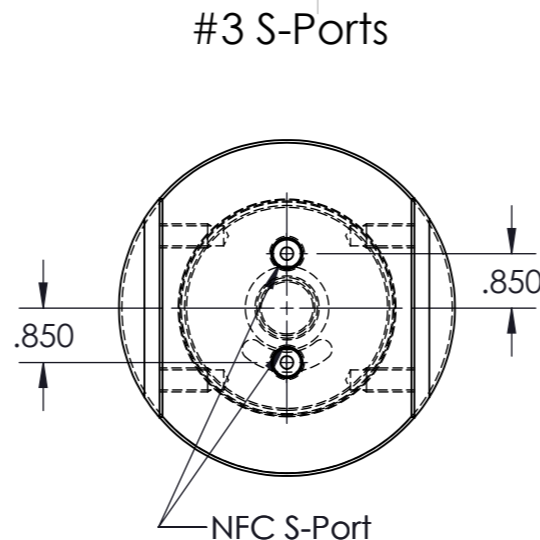
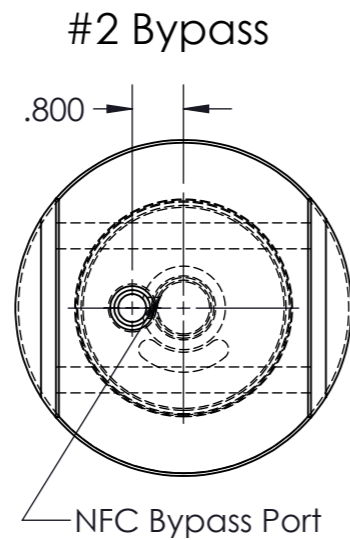
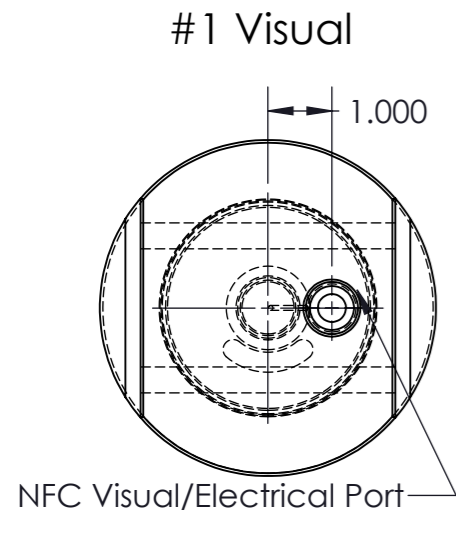


UNLESS OTHERWISE SPECIFIED  
DIMENSIONS ARE IN INCHES

TOLERANCES ON:  
2 PLACE DECIMAL: .XX +/-0.01  
3 PLACE DECIMAL: .XXX +/-0.005  
ANGULAR: +/- 0.5°

-----  
PART TO BE FREE OF BURRS  
REMOVE SHARP EDGES (FILLET 0.005" - 0.020") MEASUREMENT NOT REQUIRED  
SURFACE FINISH 125 Ra UNLESS NOTED, VISUAL INSPECTION ONLY REQUIRED  
IF PART REVISION IS NOT SPECIFIED, PART REV. MATCHES DRAWING REV.  
NFC WORKMANSHIP STANDARD DMF01-24 APPLIES

TITLE: 586 ASSEMBLY		PART REV: L
PART NUMBER: TABULATED		SIZE A3
DWG NO. 586_ASSEMBLY	CAGE CODE 59165	



# 14500, 34500, 54500 ACCESSORY PORTS

P/N Prefix	P/N Suffix(es)	Description	Top View Figure#
347XXY	NV-NS	Visual/Electrical Indicator Ports	1
	R-NS	Bypass Port	2
	NS-S*	S-Ports	3
	NVR-NS	Visual/Electrical and Bypass Ports	4
	NV-NS-S*	Visual/Electrical and S-ports	5
	NV-NV-NS	Visual and Visual Indicator	6
	R-NS-S*	Bypass and S-ports	7
	NVR-NS-S*	Visual/Electrical Bypass and S-ports	8

Code 'Y'	Material
G303	303 S.S.
G	17-4 PH
T	316 S.S.

Port Code 'XX'	Port Type
32	1/4"-18 FNPT
35	1/2"-14 FNPT
36	3/4"-14 FNPT
37	1"-11.5 FNPT
250	1/4" MEDIUM PRESSURE
375	3/8" MEDIUM PRESSURE
562	9/16" MEDIUM PRESSURE
750	3/4" MEDIUM PRESSURE
1.00	1" MEDIUM PRESSURE

UNLESS OTHERWISE SPECIFIED  
DIMENSIONS ARE IN INCHES

TOLERANCES ON:  
2 PLACE DECIMAL: .XX +/-0.01  
3 PLACE DECIMAL: .XXX +/-0.005  
ANGULAR: +/- 0.5°

PART TO BE FREE OF BURRS

REMOVE SHARP EDGES (FILLET 0.005" - 0.020") MEASUREMENT NOT REQUIRED  
SURFACE FINISH 125 Ra UNLESS NOTED, VISUAL INSPECTION ONLY REQUIRED  
IF PART REVISION IS NOT SPECIFIED, PART REV. MATCHES DRAWING REV.  
NFC WORKMANSHIP STANDARD DMF01-24 APPLIES

**NORMAN FILTERS**  
NORMAN FILTER COMPANY  
9850 SOUTH INDUSTRIAL DRIVE - BRIDGEVIEW, IL 60455  
PHONE (708)430-4000 - FAX (708)430-5961

TITLE:  
586 ASSEMBLY

PART NUMBER:  
TABULATED

DWG NO.  
586\_ASSEMBLY

CAGE CODE  
59165

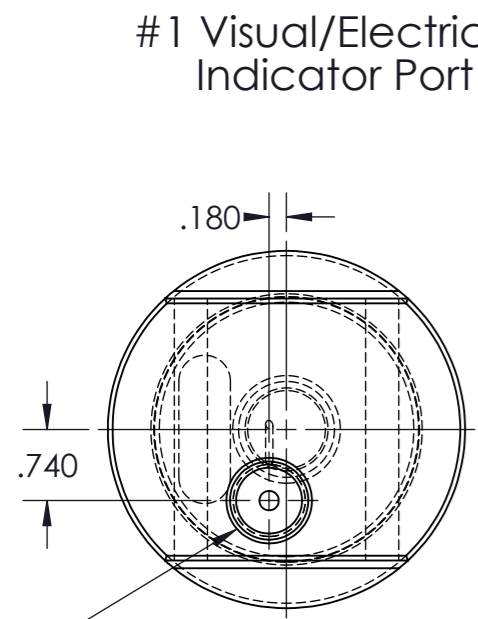
SIZE  
A3

PART REV:  
L

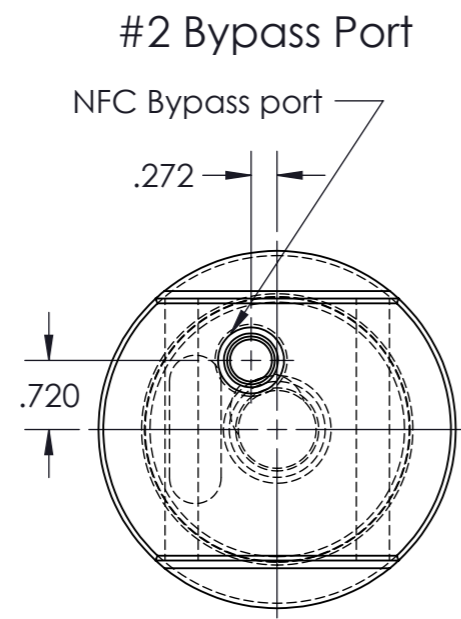
SCALE:1:2

SHEET 4 OF 5

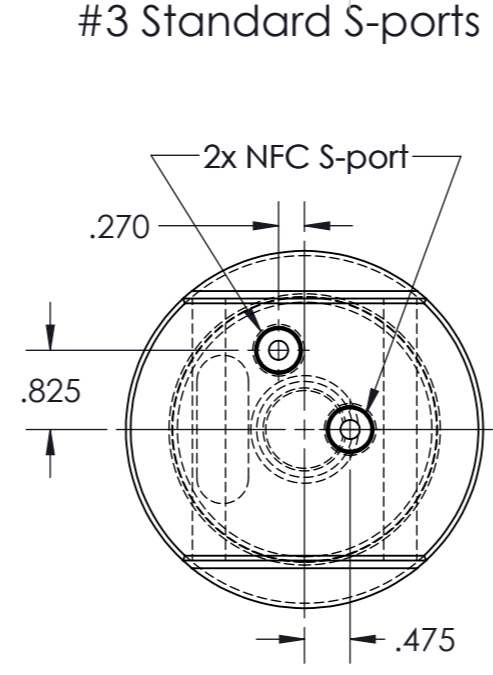
DO NOT SCALE DRAWING



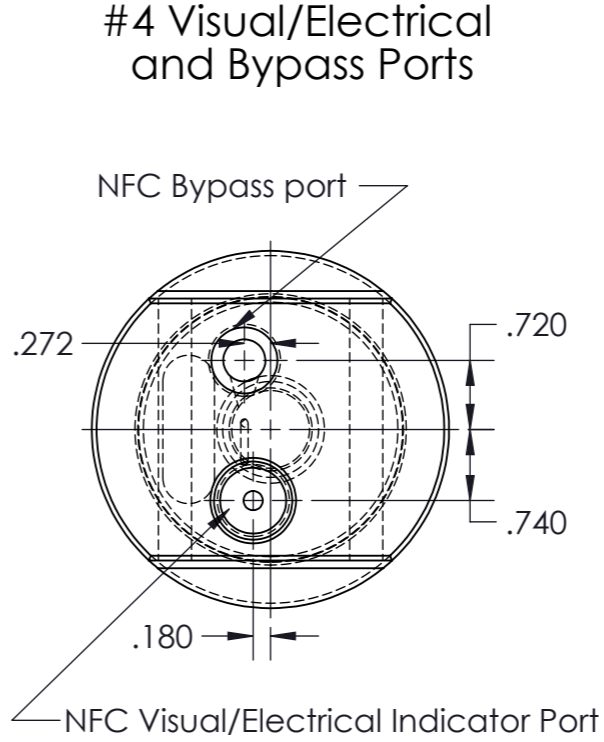
#1 Visual/Electrical Indicator Port



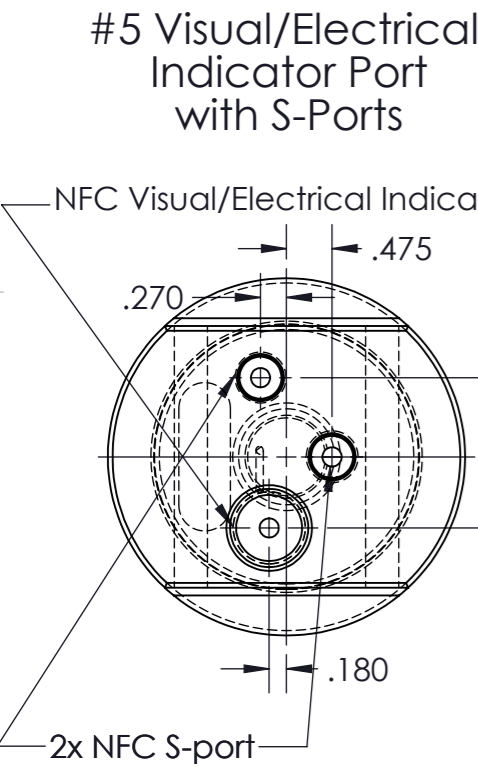
#2 Bypass Port



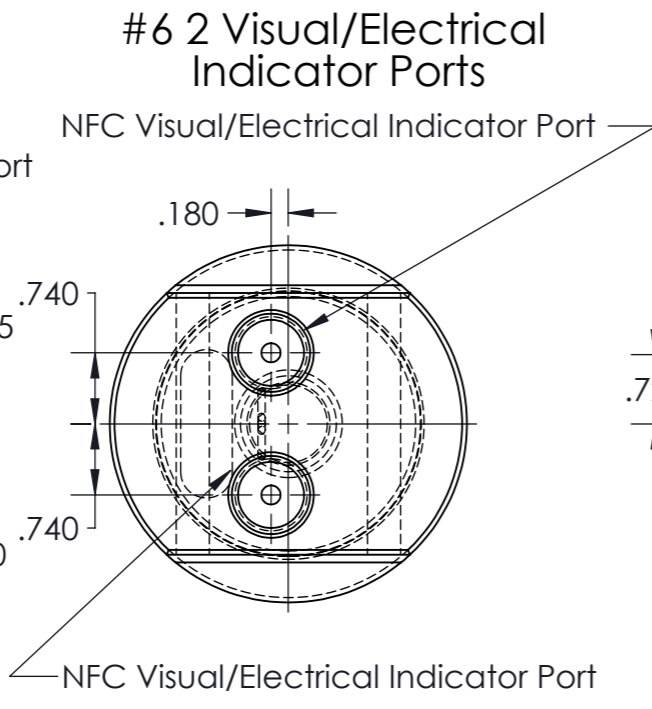
#3 Standard S-ports



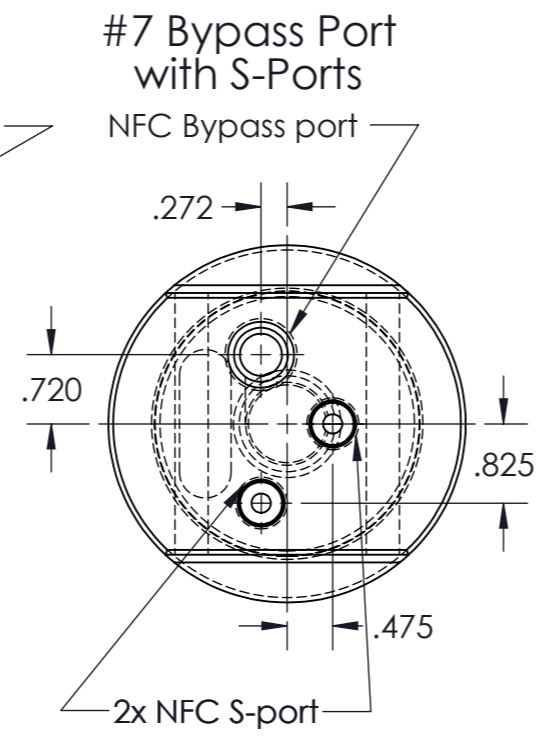
#4 Visual/Electrical and Bypass Ports



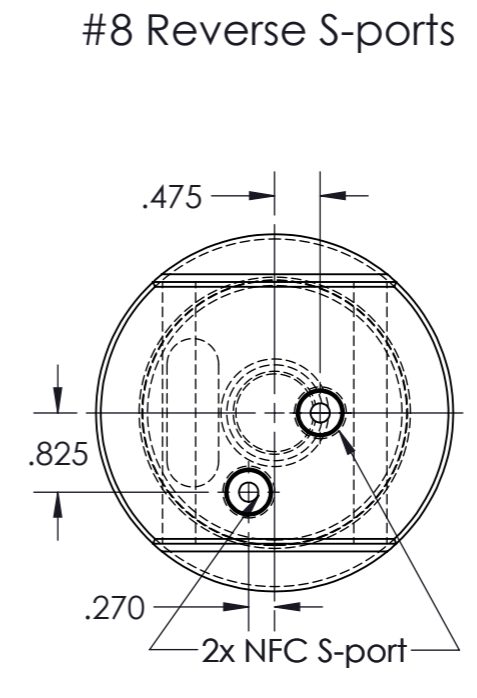
#5 Visual/Electrical Indicator Port with S-Ports



#6 2 Visual/Electrical Indicator Ports



#7 Bypass Port with S-Ports



#8 Reverse S-ports

TABLE D - FILTER HEAD	
Port Code 'xx'	Port Type
32	1/4"-18 FNPT
35	1/2"-14 FNPT
36	3/4"-14 FNPT
37	1"-11.5 FNPT
4S	SAE AS5202-04
6S	SAE AS5202-06
45S	SAE AS5202-08
75S	SAE AS5202-12
76S	SAE AS5202-16
4J	SAE J-1926/1-4
6J	SAE J-1926/1-6
45J	SAE J-1926/1-8
75J	SAE J-1926/1-12
76J	SAE J-1926/1-16

Code 'y'	Material
A	7075 T-651 Aluminum
D	2205 Duplex
G	303 Stainless Steel
M	400 Monel
T	316 Stainless Steel


# 4500 ACCESSORY PORTS

P/N Prefix	P/N Suffix(es)	Description	Top View Figure #
45xy	NV	Visual/Electrical Indicator Ports	1
	R	Bypass Ports	2
	S*	S-Ports	3
	NVR	Visual/Electrical Indicator and Bypass Ports	4
	NV-S*	Visual/Electrical and S-Ports	5
	NV-NV	Visual and Visual Indicator	6
	R-S*	Bypass and reversed S-Ports	7
	RF	Reverse Flow	Not Depicted
RF-S*	Reverse Flow with reversed S-Ports	8	

UNLESS OTHERWISE SPECIFIED  
DIMENSIONS ARE IN INCHES

TOLERANCES ON:  
2 PLACE DECIMAL: .XX +/-0.01  
3 PLACE DECIMAL: .XXX +/-0.005  
ANGULAR: +/- 0.5°

PART TO BE FREE OF BURRS  
REMOVE SHARP EDGES (FILLET 0.005" - 0.020") MEASUREMENT NOT REQUIRED  
SURFACE FINISH 125 Ra UNLESS NOTED, VISUAL INSPECTION ONLY REQUIRED  
IF PART REVISION IS NOT SPECIFIED, PART REV. MATCHES DRAWING REV.  
NFC WORKMANSHIP STANDARD DMF01-24 APPLIES



**NORMAN FILTER COMPANY**  
9850 SOUTH INDUSTRIAL DRIVE - BRIDGEVIEW, IL 60455  
PHONE (708)430-4000 - FAX (708)430-5961

**TITLE:**  
586 ASSEMBLY

**PART NUMBER:**  
TABULATED

**DWG NO.**  
586\_ASSEMBLY

**CAGE CODE**  
**59165**

**SIZE**  
**A3**

**DO NOT SCALE DRAWING**

SCALE:1:2      SHEET 5 OF 5