

# 587 SIZE

# 35 GPM/ 2500 SCFM

## 587 SIZE

**TABLE 1 - PRESSURE**

45	5000 psi
45	6000 psi

**TABLE 2 - PORT SIZE, TYPE**

87	1"-11.5 FNPT
97	1-1/4"-11.5 FNPT
23	1-1/2"-11.5 FNPT
79S	1" SAE AS5202-16
77S	1-1/4" SAE AS5202-20
68S	1-1/2" SAE AS5202-24
79J	1" SAE J-1926/1-16
77J	1-1/4" SAE J-1926/1-20
68J	1-1/2" SAE J-1926/1-24

SEE TABLE 2a

SOCKET WELD PER ASME B16.11  
BUTT WELD PER ASME B16.25

MINIMUM WALL THICKNESS "t"

.349

**TABLE 2a - WELD SPECIFICATION**

PORT SIZE, X/16 SCALE	PIPE SCHEDULE	SOCKET/BUTT WELD SW/BW
58716	40	SW, BW
	80	
	160	
	XX	
58720	40	SW, BW
	80	
	160	
	XX	
58724	40	SW, BW
	80	
	160	
	XX	
	CODE	
	XX-YYZW	

EXAMPLE: 58716-160BW

**TABLE 3 - HOUSING MATERIAL**

A	ALUMINUM	5K
G	303 STAINLESS	6K
	17-4	10K, 15K, 20K
T	316 STAINLESS	6K
B	BRASS	CALL FACTORY
M	MONEL	6K
D	DUPLEX	6K
S	SUPER DUPLEX	10K, 15K, 20K

**TABLE 4 - ELEMENT CODE**

A	CELLULOSE
F	GLASS FIBER
G	316 STAINLESS WIRE MESH
P	316 SINTERED
R	316 RANDOM METAL FIBER™
N	NICKEL 200/201 SINTERED
W	NICKEL 200/201 WIRE MESH
B	SINTERED TIN/BRONZE

Registered trademark of BEKIPOR

**TABLE 5 - MICRON CODE**

	CODE XX	NOM.	ABS.	ELEMENT CODE		
WIRE MESH	2X	2	10	G		
	02	2	12			
	05	5	18			
	RMF	10	10	25	G,W	
		20	20	40	G	
		40	40	75		
		75	75	100		
100		100	200	G,W		
GLASS FIBER β Rating ≥ 200	200	200	300	G		
	1	-	1	R		
	3	-	3			
	5	-	5			
10	-	10				
20	-	20				
CELLULOSE	100	-	100	F		
	B1	-	1			
	B3	-	3			
	B5	-	5			
CELLULOSE	B10	-	10	A		
	B25	-	25			
	03	3	-			
	10	10	-			
SINTERED	25	25	-	P		
	316	0.2	0.2		1.4	
	316	0.5	0.3		2.2	
	316	1	0.7		3.3	
	316	2	2		9	
	316	5	5		13	
	316	10	13		20	
	316	20	20		35	
	NICKEL	2	2		9	N
	NICKEL	5	5		13	
	NICKEL	10	13		20	
	BRASS	10	10		15	B
20		20	27			
40		40	52			
100		100	100			

**TABLE 6 - COLLAPSE RATING**

D	4500 psi WIRE MESH
E	4500 psi RMF
A	300 psi GLASS FIBER
C	3250 psi GLASS FIBER
P	150 psi CELLULOSE
R	300 psi CELLULOSE
F	2000 psi 316 SINTERED
K	NICKEL SINTERED
X	BRASS SINTERED

**TABLE 7 - O-RING MATERIAL**

M	PTFE
M1	PTFE PER AMS 3678C-1-B
E	ETHYLENE PROPYLENE
E1	V1238-95
S	SILICONE
L	BUNA-N
K	90 DUROMETER NITRILE
HNBR	HNBR
H	4079 KALREZ™
N	VITON
MN	PTFE COATED VITON

**TABLE 8 - ACCESSORIES**

DR-1	1/8"-27 FNPT BOWL DRAIN
DR-2	1/4"-18 FNPT BOWL DRAIN
DR-3	SAE AS5202-02 BOWL DRAIN
DR-4	SAE AS5202-04 BOWL DRAIN
SEE TABLE 8a	ELECTRICAL INDICATOR**
SEE TABLE 8a/c	ELEC. INDICATOR + BYPASS VALVE**
SEE TABLE 8c	BYPASS VALVE**
S1	1/8"-27 FNPT DP PORTS
S2	1/4"-18 FNPT DP PORTS
S3	SAE AS5202-02 DP PORTS
S4	SAE AS5202-04 DP PORTS
SEE TABLE 8b	VISUAL INDICATOR**
SEE TABLE 8b/c	VISUAL INDICATOR + BYPASS VALVE**

\*\* Seal Kit Available see Table 8a/b/c for code

TABLE 8a		TABLE 8b		TABLE 8c	
CODE	ACTIVATION PRESSURE	CODE	ACTIVATION PRESSURE	CODE	ACTIVATION PRESSURE
EE	40 PSID	V	40 PSID	R	50 PSID
EE20	20 PSID	V15	15 PSID	R15	15 PSID
EE75	75 PSID	V80	80 PSID	R75	75 PSID
		V120	120 PSID	R100	100 PSID

FOR COMBINATION ACCESSORIES SEE EXAMPLES BELOW

EXAMPLE:	EE75R100	V120R100
----------	----------	----------

ASSEMBLY: 1 2/2a 3 4 5 6 7 8/8a/b/c

EXAMPLE: 45 79S T G 20 D N EER

REPLACEMENT ELEMENT: 587

EXAMPLE: 587 G 20 D N

SEAL KIT: KIT - 1 -587- 7 - 8/8a/b/c

EXAMPLE: KIT - 45 -587- N - EER

DRAWING REV.	DESCRIPTION	DATE	APPROVED
K2	ECO 2712: Remove NV-NV-R option	2/11/20	JB
K3	ECO 2786: UPDATED MICRON RATING OPTIONS	3/10/2020	JB
K4	ECO 2788: UPDATED TEFLON TO PTFE	3/12/2020	TJ

UNLESS OTHERWISE SPECIFIED DIMENSIONS ARE IN INCHES

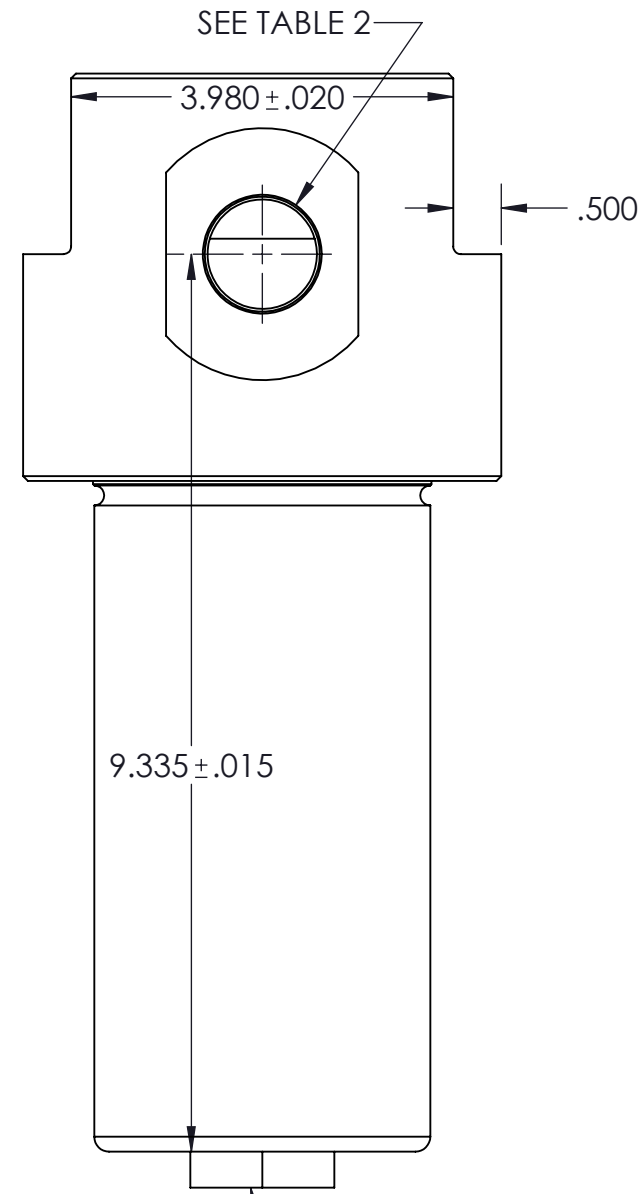
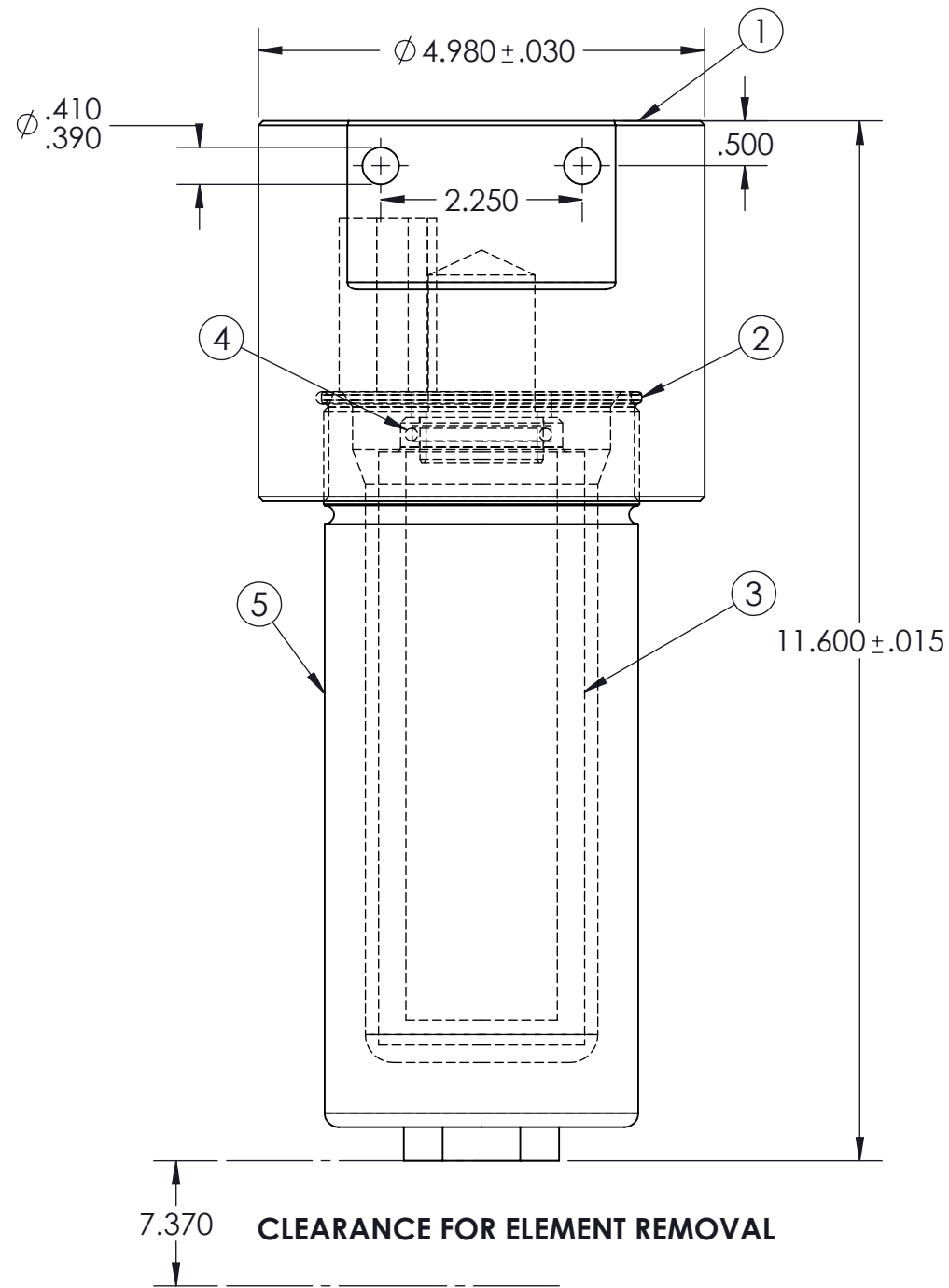
TOLERANCES ON:  
2 PLACE DECIMAL: .XX +/-0.01  
3 PLACE DECIMAL: .XXX +/-0.005  
ANGULAR: +/- 0.5°

PART TO BE FREE OF BURRS  
REMOVE SHARP EDGES (FILLET 0.005" - 0.020") MEASUREMENT NOT REQUIRED SURFACE FINISH 125 Ra UNLESS NOTED, VISUAL INSPECTION ONLY REQUIRED IF PART REVISION IS NOT SPECIFIED, PART REV. MATCHES DRAWING REV. NFC WORKMANSHIP STANDARD DMF01-24 APPLIES

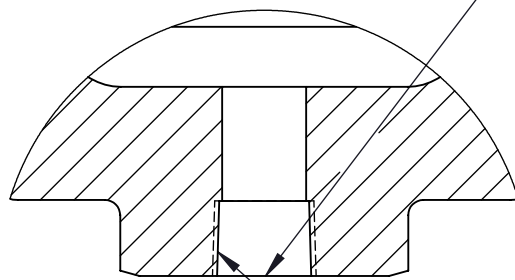


TITLE: 587 ASSEMBLY		PART REV: K
PART NUMBER: TABULATED		
DWG NO. 587_ASSEMBLY	CAGE CODE 59165	SIZE A3

# 4500



DRAIN PORT OPTION



SEE TABLE 8

UNLESS OTHERWISE SPECIFIED  
 DIMENSIONS ARE IN INCHES  
  
 TOLERANCES ON:  
 2 PLACE DECIMAL: .XX +/- 0.01  
 3 PLACE DECIMAL: .XXX +/- 0.005  
 ANGULAR: +/- 0.5°  
 -----  
 PART TO BE FREE OF BURRS  
 REMOVE SHARP EDGES (FILLET 0.005" - 0.020") MEASUREMENT NOT REQUIRED  
 SURFACE FINISH 125 Ra UNLESS NOTED, VISUAL INSPECTION ONLY REQUIRED  
 IF PART REVISION IS NOT SPECIFIED, PART REV. MATCHES DRAWING REV.  
 NFC WORKMANSHIP STANDARD DMF01-24 APPLIES



TITLE:  
587 ASSEMBLY

PART NUMBER:  
TABULATED

PART REV:  
K

DWG NO.  
587\_ASSEMBLY

CAGE CODE  
59165

SIZE  
A3

DO NOT SCALE DRAWING

SCALE:1:4

SHEET 2 OF 4

TABLE A - O-RING TYPE		
Filter Assembly Code	O-Ring Material	O-Ring Part # Code XX
M	PTFE	01
M1	PTFE per AMS 3678C-1-B	02
E	EPR	03
E1	V1238-95	04
S	SILICONE	05
L	BUNA, 70 DUROMETER	06
K	BUNA, 90 DUROMETER	07
HNBR	HNBR	15
H	4079 KALREZ™	16
N	VITON	18
MN	PTFE COATED VITON	18-01

CONTINUING THE EXAMPLE FROM SHEET 1				
Item #	Part #	DESCRIPTION	Material	Qty.
1	4579ST	HEAD, FILTER	316 STAINLESS STEEL	1
2	523718	O-RING, HOUSING	VITON	1
3	587G-20DN	ELEMENT, FILTER	316 STAINLESS WIRE MESH	1
4	522018	O-RING, ELEMENT	VITON	1
5	45866I	BOWL, FILTER	316 STAINLESS STEEL	1

FROM TABLE B(SHEET 4) AND 3(SHEET 1)

SHEET 1 REPLACEMENT ELEMENT

FROM TABLE 3(SHEET 1)

FROM TABLE A

## 4500 Bill of Material

Item #	Part #	DESCRIPTION	Material	Qty.
1	45XXY	HEAD, FILTER	TABLE B(SHEET 4) and 3(SHEET 1)	1
2	5237XX	O-RING, HOUSING	TABLE A	1
3	587X-XXX	ELEMENT, FILTER	SHEET 1 REPLACEMENT ELEMENT	1
4	5220XX	O-RING, ELEMENT	TABLE A	1
5	45866Y	BOWL, FILTER	TABLE 3	1



UNLESS OTHERWISE SPECIFIED  
DIMENSIONS ARE IN INCHES

TOLERANCES ON:  
2 PLACE DECIMAL: .XX +/-0.01  
3 PLACE DECIMAL: .XXX +/-0.005  
ANGULAR: +/- 0.5°

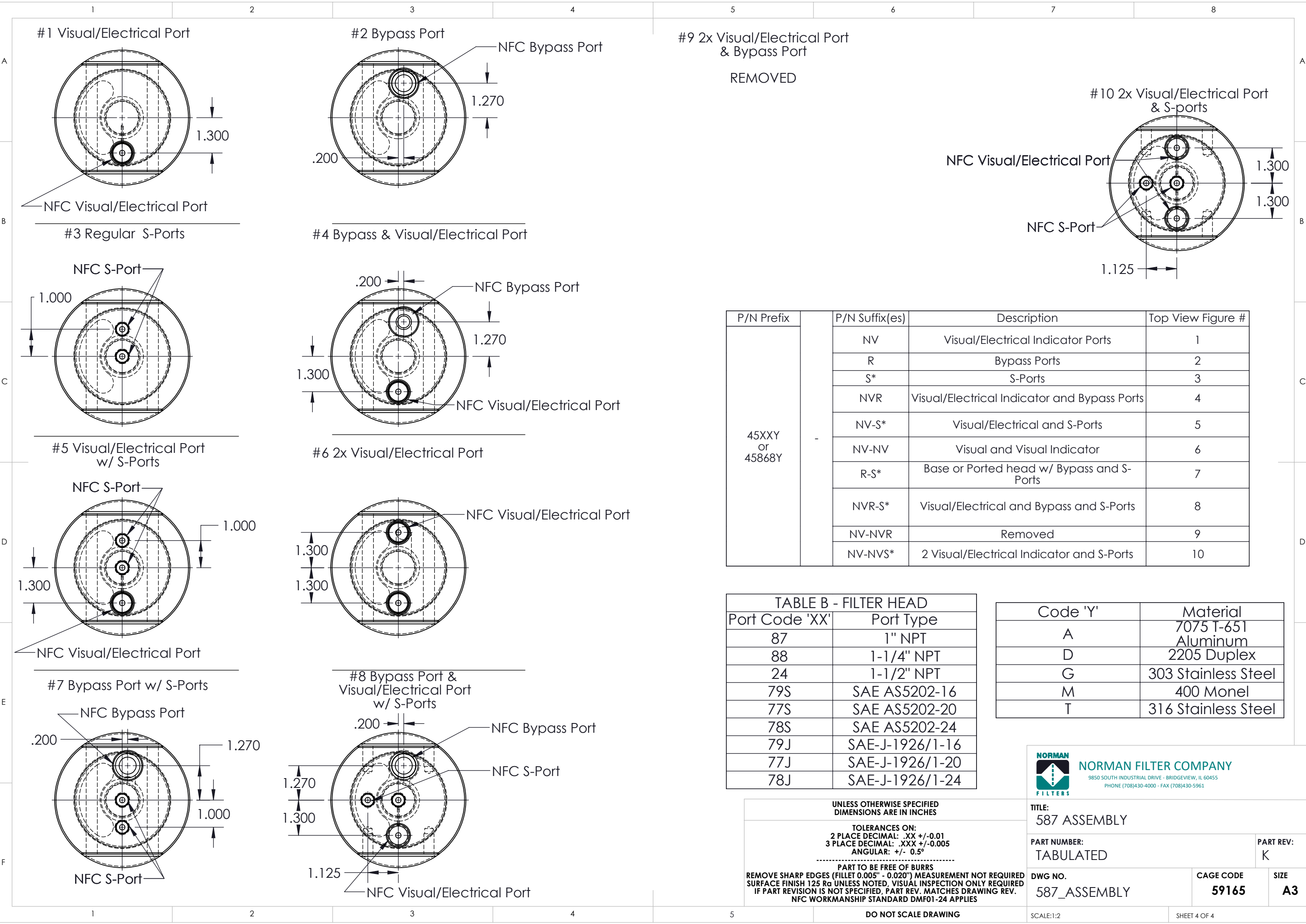
-----  
PART TO BE FREE OF BURRS  
REMOVE SHARP EDGES (FILLET 0.005" - 0.020") MEASUREMENT NOT REQUIRED  
SURFACE FINISH 125 Ra UNLESS NOTED, VISUAL INSPECTION ONLY REQUIRED  
IF PART REVISION IS NOT SPECIFIED, PART REV. MATCHES DRAWING REV.  
NFC WORKMANSHIP STANDARD DMF01-24 APPLIES

TITLE: 587 ASSEMBLY		PART REV: K
PART NUMBER: TABULATED		SIZE A3
DWG NO. 587_ASSEMBLY	CAGE CODE 59165	

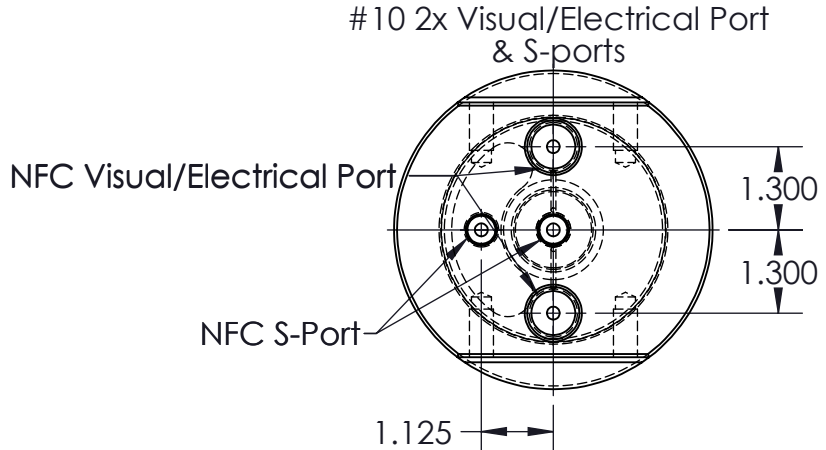
DO NOT SCALE DRAWING

SCALE:1:16

SHEET 3 OF 4



#9 2x Visual/Electrical Port & Bypass Port  
REMOVED



P/N Prefix	P/N Suffix(es)	Description	Top View Figure #
45XXY OR 45868Y	NV	Visual/Electrical Indicator Ports	1
	R	Bypass Ports	2
	S*	S-Ports	3
	NVR	Visual/Electrical Indicator and Bypass Ports	4
	NV-S*	Visual/Electrical and S-Ports	5
	NV-NV	Visual and Visual Indicator	6
	R-S*	Base or Ported head w/ Bypass and S-Ports	7
	NVR-S*	Visual/Electrical and Bypass and S-Ports	8
	NV-NVR	Removed	9
	NV-NVS*	2 Visual/Electrical Indicator and S-Ports	10

Port Code 'XX'	Port Type
87	1" NPT
88	1-1/4" NPT
24	1-1/2" NPT
79S	SAE AS5202-16
77S	SAE AS5202-20
78S	SAE AS5202-24
79J	SAE-J-1926/1-16
77J	SAE-J-1926/1-20
78J	SAE-J-1926/1-24

Code 'Y'	Material
A	7075 T-651 Aluminum
D	2205 Duplex
G	303 Stainless Steel
M	400 Monel
T	316 Stainless Steel

UNLESS OTHERWISE SPECIFIED  
DIMENSIONS ARE IN INCHES

TOLERANCES ON:  
2 PLACE DECIMAL: .XX +/-0.01  
3 PLACE DECIMAL: .XXX +/-0.005  
ANGULAR: +/- 0.5°

-----  
PART TO BE FREE OF BURRS  
REMOVE SHARP EDGES (FILLET 0.005" - 0.020") MEASUREMENT NOT REQUIRED  
SURFACE FINISH 125 Ra UNLESS NOTED, VISUAL INSPECTION ONLY REQUIRED  
IF PART REVISION IS NOT SPECIFIED, PART REV. MATCHES DRAWING REV.  
NFC WORKMANSHIP STANDARD DMF01-24 APPLIES

**NORMAN FILTER COMPANY**  
9850 SOUTH INDUSTRIAL DRIVE - BRIDGEVIEW, IL 60455  
PHONE (708)430-4000 - FAX (708)430-5961

TITLE: 587 ASSEMBLY		PART REV: K	
PART NUMBER: TABULATED		CAGE CODE 59165	
DWG NO. 587_ASSEMBLY		SIZE A3	

DO NOT SCALE DRAWING

SCALE:1:2
SHEET 4 OF 4