

588 SIZE

50 GPM/ 4000 SCFM

588 SIZE

TABLE 1 - PRESSURE

45	5000 psi
45	6000 psi

TABLE 2 - PORT SIZE, TYPE

98	1"-11.5 FNPT
88	1-1/4"-11.5 FNPT
24	1-1/2"-11.5 FNPT
80S	1" SAE AS5202-16
99S	1-1/4" SAE AS5202-20
78S	1-1/2" SAE AS5202-24
80J	1" SAE J-1926/1-16
99J	1-1/4" SAE J-1926/1-20
78J	1-1/2" SAE J-1926/1-24

SEE TABLE 2a

MINIMUM WALL THICKNESS "t"

SOCKET WELD PER ASME B16.11
BUTT WELD PER ASME B16.25

.349

TABLE 2a - WELD SPECIFICATION

PORT SIZE, X/16 SCALE	PIPE SCHEDULE	SOCKET/BUTT WELD SW/BW
58816	40	SW, BW
	80	
	160	
	XX	
58820	40	SW, BW
	80	
	160	
	XX	
58824	40	SW, BW
	80	
	160	
	XX	

CODE
XX-YYYZW

EXAMPLE: 58816-160BW

TABLE 3 - HOUSING MATERIAL

A	ALUMINUM	5K
G	303 STAINLESS	6K
	17-4	10K, 15K, 20K
T	316 STAINLESS	6K
B	BRASS	CALL FACTORY
M	MONEL	6K
D	DUPLEX	6K
S	SUPER DUPLEX	10K, 15K, 20K

TABLE 4 - ELEMENT CODE

A	CELLULOSE
F	GLASS FIBER
G	316 STAINLESS WIRE MESH
P	316 SINTERED
R	316 RANDOM METAL FIBER™
N	NICKEL 200/201 SINTERED
W	NICKEL 200/201 WIRE MESH
B	SINTERED TIN/BRONZE

Registered trademark of BEKIPOR

TABLE 5 - MICRON CODE

	CODE XX	NOM.	ABS.	ELEMENT CODE	
WIRE MESH	2X	2	10	G	
	02	2	12		
	05	5	18		
	10	10	25	G,W	
	20	20	40	G	
	40	40	75		
RMF	75	75	100	R	
	100	100	200		
	200	200	300		
	1	-	1		
	3	-	3		
	5	-	5		
GLASS FIBER β Rating ≥ 200	10	-	10	F	
	20	-	20		
	100	-	100		
	B1	-	1		
	B3	-	3		
CELLULOSE	B5	-	5	A	
	B10	-	10		
	B25	-	25		
	03	3	-		
SINTERED	10	10	-	P	
	25	25	-		
	316	0.2	0.2		1.4
		0.5	0.3		2.2
		1	0.7		3.3
		2	2		9
		5	5		13
		10	13		20
	NICKEL	20	20		35
		2	2		9
5		5	13		
10		13	20		
BRASS	10	10	15		
	20	20	27		
	40	40	52		
	100	100	100		

TABLE 6 - COLLAPSE RATING

D	4500 psi WIRE MESH
E	4500 psi RMF
A	300 psi GLASS FIBER
C	3250 psi GLASS FIBER
P	150 psi CELLULOSE
R	300 psi CELLULOSE
F	2000 psi 316 SINTERED
K	NICKEL SINTERED
X	BRASS SINTERED

TABLE 8 - ACCESSORIES

DR-1	1/8"-27 FNPT BOWL DRAIN
DR-2	1/4"-18 FNPT BOWL DRAIN
DR-3	SAE AS5202-02 BOWL DRAIN
DR-4	SAE AS5202-04 BOWL DRAIN
SEE TABLE 8a	ELECTRICAL INDICATOR**
SEE TABLE 8a/c	ELEC. INDICATOR + BYPASS VALVE**
SEE TABLE 8c	BYPASS VALVE**
S1	1/8"-27 FNPT DP PORTS
S2	1/4"-18 FNPT DP PORTS
S3	SAE AS5202-02 DP PORTS
S4	SAE AS5202-04 DP PORTS
SEE TABLE 8c	VISUAL INDICATOR**
SEE TABLE 8b/c	VISUAL INDICATOR + BYPASS VALVE**

** Seal Kit Available see Table 8a/b/c for code

TABLE 8a

CODE	ACTIVATION PRESSURE
EE	40 PSID
EE20	20 PSID
EE75	75 PSID

TABLE 8b

CODE	ACTIVATION PRESSURE
V	40 PSID
V15	15 PSID
V80	80 PSID
V120	120 PSID

TABLE 8c

CODE	ACTIVATION PRESSURE
R	50 PSID
R15	15 PSID
R75	75 PSID
R100	100 PSID

FOR COMBINATION ACCESSORIES SEE EXAMPLES BELOW
EXAMPLE: EE75R100 V120R100

TABLE 7 - O-RING MATERIAL

M	PTFE
M1	PTFE PER AMS 3678C-1-B
E	ETHYLENE PROPYLENE
E1	V1238-95
S	SILICONE
L	BUNA-N
K	90 DUROMETER NITRILE
HNBR	HNBR
H	4079 KALREZ™
N	VITON
MN	PTFE COATED VITON

ASSEMBLY: 1 2/2a 3 4 5 6 7 8/8a/b/c

EXAMPLE: 45 78S T G 20 D N EER

REPLACEMENT ELEMENT: 588 4 5 6 7

EXAMPLE: 588 G 20 D N

SEAL KIT: KIT - 1 -588- 7 - 8/8a/b/c

EXAMPLE: KIT - 45 -588- N - EER

REVISIONS			
DRAWING REV.	DESCRIPTION	DATE	APPROVED
J1	ECO 2712; Removed NV-NV-R option	2/11/20	JB
J2	ECO 2786; UPDATED MICRON RATING OPTIONS	3/10/20	JB
J3	ECO 2788; UPDATED TEFLON TO PTFE	3/12/20	TJ

UNLESS OTHERWISE SPECIFIED DIMENSIONS ARE IN INCHES

TOLERANCES ON:
2 PLACE DECIMAL: .XX +/-0.01
3 PLACE DECIMAL: .XXX +/-0.005
ANGULAR: +/- 0.5°

PART TO BE FREE OF BURRS

REMOVE SHARP EDGES (FILLET 0.005" - 0.020") MEASUREMENT NOT REQUIRED SURFACE FINISH 125 Ra UNLESS NOTED, VISUAL INSPECTION ONLY REQUIRED IF PART REVISION IS NOT SPECIFIED, PART REV. MATCHES DRAWING REV. NFC WORKMANSHIP STANDARD DMF01-24 APPLIES



TITLE: 588 ASSEMBLY

PART NUMBER: TABULATED PART REV: J

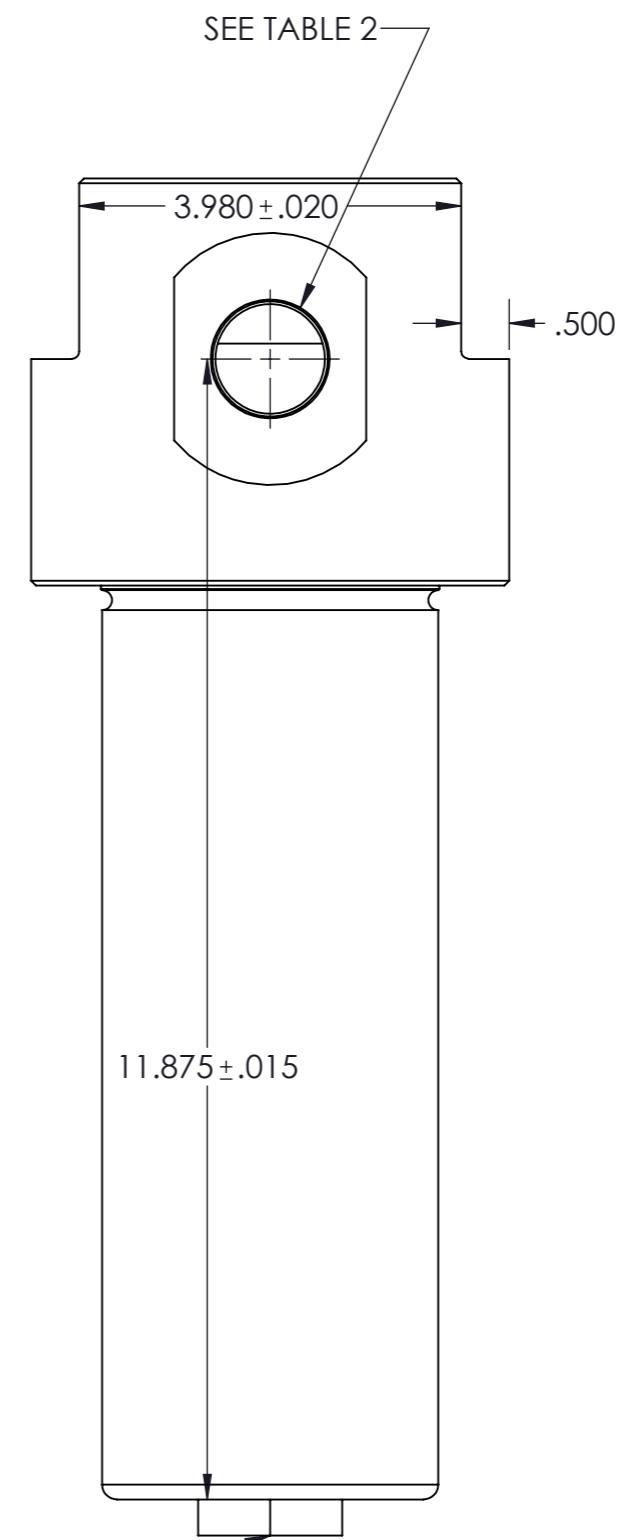
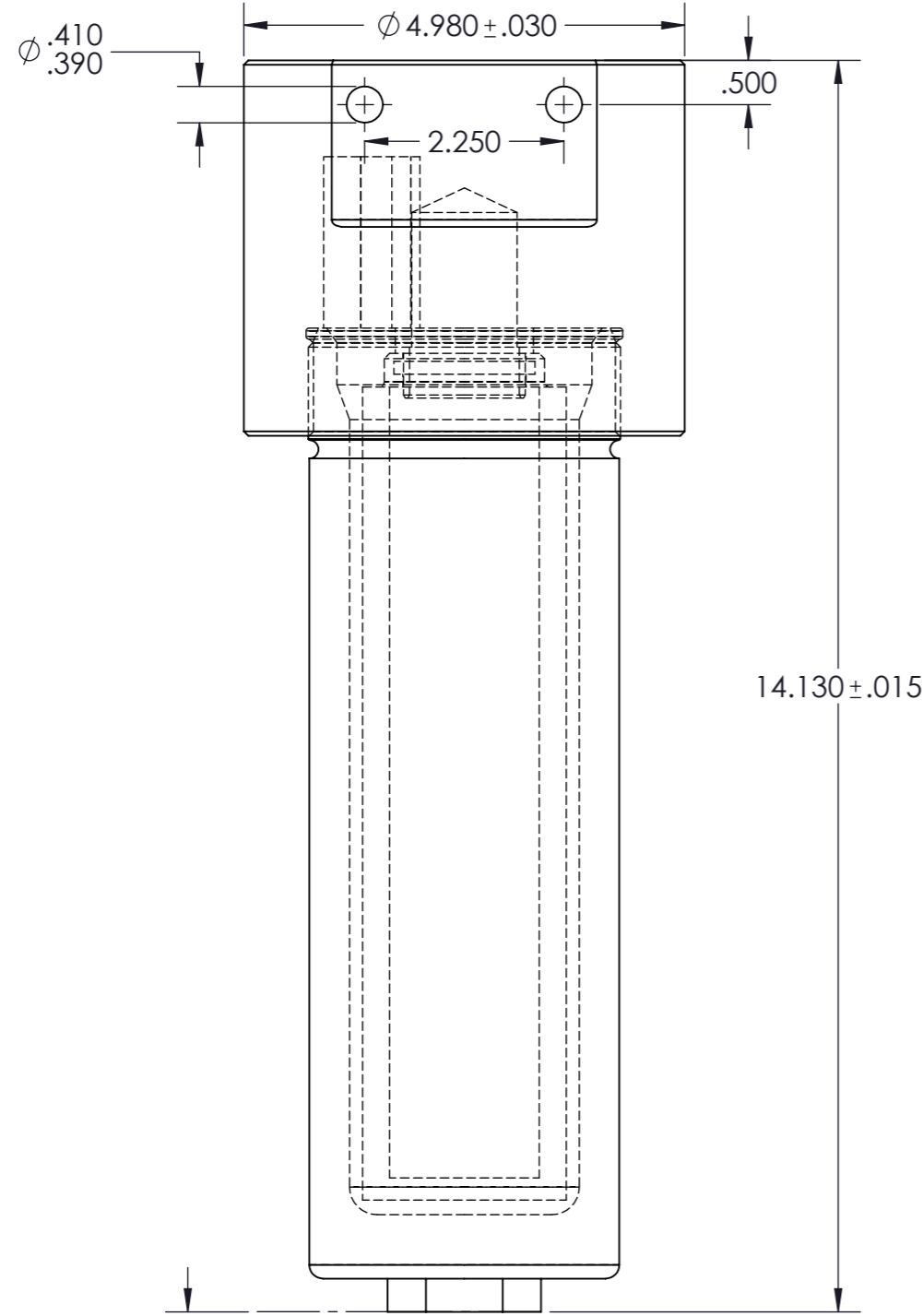
DWG NO. 588_ASSEMBLY CAGE CODE 59165 SIZE A3

DO NOT SCALE DRAWING

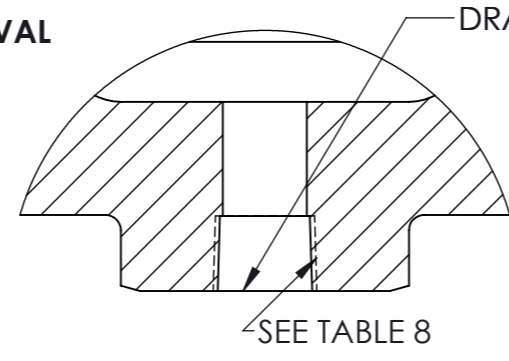
SCALE:1:16

SHEET 1 OF 4

4500



9.870 **CLEARANCE FOR ELEMENT REMOVAL**



UNLESS OTHERWISE SPECIFIED
DIMENSIONS ARE IN INCHES

TOLERANCES ON:
2 PLACE DECIMAL: .XX +/-0.01
3 PLACE DECIMAL: .XXX +/-0.005
ANGULAR: +/- 0.5°

PART TO BE FREE OF BURRS
REMOVE SHARP EDGES (FILLET 0.005" - 0.020") MEASUREMENT NOT REQUIRED
SURFACE FINISH 125 Ra UNLESS NOTED, VISUAL INSPECTION ONLY REQUIRED
IF PART REVISION IS NOT SPECIFIED, PART REV. MATCHES DRAWING REV.
NFC WORKMANSHIP STANDARD DMF01-24 APPLIES

NORMAN FILTER COMPANY
9850 SOUTH INDUSTRIAL DRIVE - BRIDGEVIEW, IL 60455
PHONE (708)430-4000 - FAX (708)430-5961

TITLE: 588 ASSEMBLY		PART REV: J
PART NUMBER: TABULATED		
DWG NO. 588_ASSEMBLY	CAGE CODE 59165	SIZE A3

DO NOT SCALE DRAWING

SCALE:1:4

SHEET 2 OF 4

TABLE A - O-RING TYPE		
Filter Assembly Code	O-Ring Material	O-Ring Part # Code XX
M	PTFE	01
M1	PTFE per AMS 3678C-1-B	02
E	EPR	03
E1	V1238-95	04
S	SILICONE	05
L	BUNA, 70 DUROMETER	06
K	BUNA, 90 DUROMETER	07
HNBR	HNBR	15
H	4079 KALREZ™	16
N	VITON	18
MN	PTFE COATED VITON	18-01

CONTINUING THE EXAMPLE FROM SHEET 1				
Item #	Part #	DESCRIPTION	Material	Qty.
1	45 78ST	HEAD, FILTER	316 STAINLESS STEEL	1
2	5237 18	O-RING, HOUSING	VITON	1
3	588 G-20DN	ELEMENT, FILTER	316 STAINLESS WIRE MESH	1
4	5220 18	O-RING, ELEMENT	VITON	1
5	45867 I	BOWL, FILTER	316 STAINLESS STEEL	1

FROM TABLE B(SHEET 4) AND 3(SHEET 1)

SHEET 1 REPLACEMENT ELEMENT

FROM TABLE 3(SHEET 1)

FROM TABLE A

4500 Bill of Material

Item #	Part #	DESCRIPTION	Material	Qty.
1	45XXY	HEAD, FILTER	TABLE B(SHEET 4) and 3(SHEET 1)	1
2	5237XX	O-RING, HOUSING	TABLE A	1
3	588X-XXX	ELEMENT, FILTER	SHEET 1 REPLACEMENT ELEMENT	1
4	5220XX	O-RING, ELEMENT	TABLE A	1
5	45867Y	BOWL, FILTER	TABLE 3	1

UNLESS OTHERWISE SPECIFIED
DIMENSIONS ARE IN INCHES

TOLERANCES ON:
2 PLACE DECIMAL: .XX +/-0.01
3 PLACE DECIMAL: .XXX +/-0.005
ANGULAR: +/- 0.5°

PART TO BE FREE OF BURRS
REMOVE SHARP EDGES (FILLET 0.005" - 0.020") MEASUREMENT NOT REQUIRED
SURFACE FINISH 125 Ra UNLESS NOTED, VISUAL INSPECTION ONLY REQUIRED
IF PART REVISION IS NOT SPECIFIED, PART REV. MATCHES DRAWING REV.
NFC WORKMANSHIP STANDARD DMF01-24 APPLIES



TITLE:
588 ASSEMBLY

PART NUMBER:
TABULATED

PART REV:
J

DWG NO.
588_ASSEMBLY

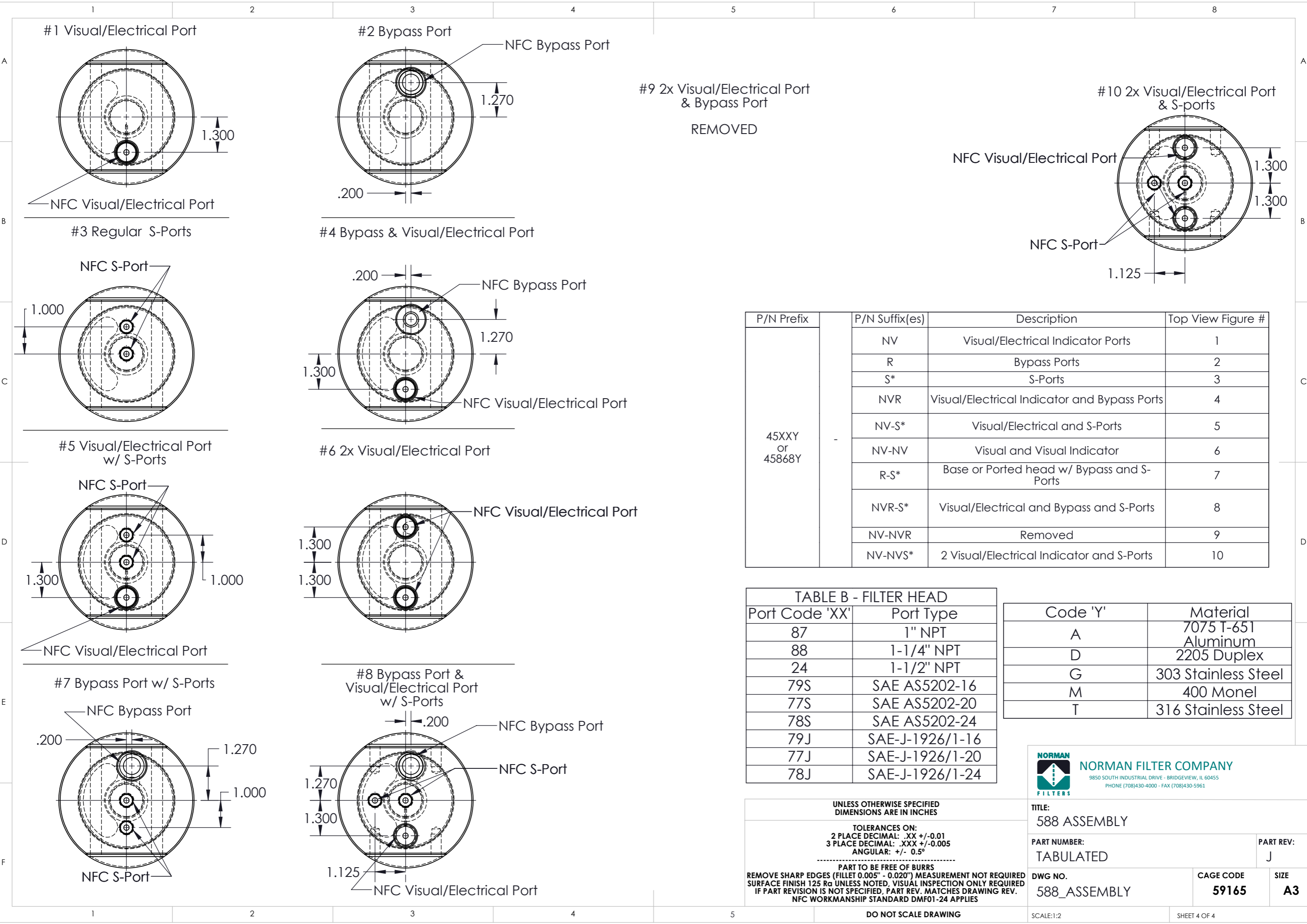
CAGE CODE
59165

SIZE
A3

DO NOT SCALE DRAWING

SCALE:1:16

SHEET 3 OF 4



#9 2x Visual/Electrical Port & Bypass Port
REMOVED

P/N Prefix	P/N Suffix(es)	Description	Top View Figure #
45XXY or 45868Y	NV	Visual/Electrical Indicator Ports	1
	R	Bypass Ports	2
	S*	S-Ports	3
	NVR	Visual/Electrical Indicator and Bypass Ports	4
	NV-S*	Visual/Electrical and S-Ports	5
	NV-NV	Visual and Visual Indicator	6
	R-S*	Base or Ported head w/ Bypass and S-Ports	7
	NVR-S*	Visual/Electrical and Bypass and S-Ports	8
	NV-NVR	Removed	9
	NV-NVS*	2 Visual/Electrical Indicator and S-Ports	10

Port Code 'XX'	Port Type
87	1" NPT
88	1-1/4" NPT
24	1-1/2" NPT
79S	SAE AS5202-16
77S	SAE AS5202-20
78S	SAE AS5202-24
79J	SAE-J-1926/1-16
77J	SAE-J-1926/1-20
78J	SAE-J-1926/1-24

Code 'Y'	Material
A	7075 T-651 Aluminum
D	2205 Duplex
G	303 Stainless Steel
M	400 Monel
T	316 Stainless Steel



UNLESS OTHERWISE SPECIFIED
DIMENSIONS ARE IN INCHES

TOLERANCES ON:
2 PLACE DECIMAL: .XX +/-0.01
3 PLACE DECIMAL: .XXX +/-0.005
ANGULAR: +/- 0.5°

PART TO BE FREE OF BURRS
REMOVE SHARP EDGES (FILLET 0.005" - 0.020") MEASUREMENT NOT REQUIRED
SURFACE FINISH 125 Ra UNLESS NOTED, VISUAL INSPECTION ONLY REQUIRED
IF PART REVISION IS NOT SPECIFIED, PART REV. MATCHES DRAWING REV.
NFC WORKMANSHIP STANDARD DMF01-24 APPLIES

TITLE: 588 ASSEMBLY		PART REV: J	
PART NUMBER: TABULATED		DWG NO. 588_ASSEMBLY	
CAGE CODE 59165		SIZE A3	

DO NOT SCALE DRAWING