

Lift Check Valve

*Bulletin 4130-LC
May 2003*



Introduction

Parker's LC-Series Lift Check Valve has been designed for a wide variety of temperature extremes found in power, chemical, petrochemical, oil & gas, and laboratory applications. The LC-Series, ideal for liquid service, has been designed to prevent flow in the reverse direction to within 99.9% of forward flow. The gravity assisted poppet uses back pressure to achieve a seal.

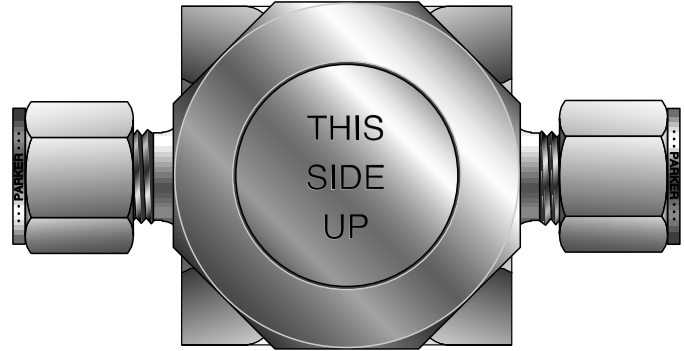
Lift Check Valve

Features

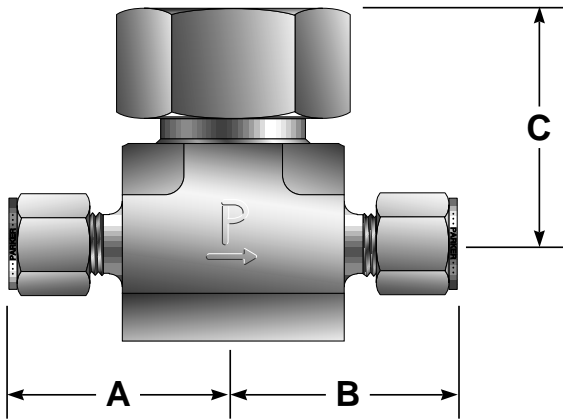
- Wide temperature range
- Variety of end connections available
- Compact design
- Rugged, forged body construction
- Stainless steel construction

Specifications

- **Pressure Rating:**
6000 psig (413 bar) CWP
- **Temperature Rating:**
-100 °F to 900 °F (-148 °C to 482 °C)
- **Flow Data:**
LC6 Series
 $C_v .63$ $X_i .47$
LC12 Series
 $C_v 1.20$ $X_i .63$
LC16 Series
 $C_v 2.29$ $X_i .65$



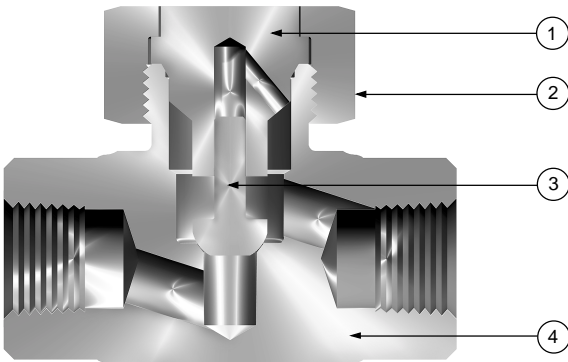
Note: Valve must be mounted in proper orientation.



Part Number / Dimensions

Part #	Size/Connection	A	B	C	Bonnet Hex
2F-LC6L-SS	1/8" Female NPT	1.00 (25.4)	1.00 (25.4)	1.34 (34.0)	15/16 (23.8)
4Z-LC6L-SS	1/4" CPI™	1.38 (35.1)	1.38 (35.1)	1.34 (34.0)	15/16 (23.8)
4A-LC6L-SS	1/4" A-LOK®	1.38 (35.1)	1.38 (35.1)	1.34 (34.0)	15/16 (23.8)
4F-LC6L-SS	1/4" Female NPT	1.03 (26.2)	1.03 (26.2)	1.34 (34.0)	15/16 (23.8)
4A4F-LC6L-SS	1/4" A-LOK® x 1/4" Female	1.38 (35.1)	1.03 (26.2)	1.34 (34.0)	15/16 (23.8)
M6A-LC6L-SS	6mm A-LOK®	1.38 (35.1)	1.38 (35.1)	1.34 (34.0)	15/16 (23.8)
4F-LC12L-SS	1/4" Female NPT	1.13 (28.7)	1.13 (28.7)	1.50 (38.1)	1-1/4 (31.8)
6Z-LC12L-SS	3/8" CPI™	1.60 (40.6)	1.60 (40.6)	1.50 (38.1)	1-1/4 (31.8)
6A-LC12L-SS	3/8" A-LOK®	1.60 (40.6)	1.60 (40.6)	1.50 (38.1)	1-1/4 (31.8)
8F-LC16L-SS	1/2" Female NPT	1.56 (39.6)	1.56 (39.6)	1.86 (47.2)	1-1/2 (38.1)
8Z-LC16L-SS	1/2" CPI™	1.97 (50.0)	1.97 (50.0)	1.86 (47.2)	1-1/2 (38.1)
8A-LC16L-SS	1/2" A-LOK®	1.97 (50.0)	1.97 (50.0)	1.86 (47.2)	1-1/2 (38.1)

For CPI™ and A-LOK®, dimensions are measured with nuts in the finger-tight position. Metric dimensions are noted by ().



Materials of Construction

Item #	Description	Material
1	Poppet Guide	ASTM A 479, TYPE 316
2	Bonnet Nut	ASTM A 479, TYPE 316
3	Poppet	ASTM A 564, TYPE 630
4	Valve Body	ASTM A 182, TYPE F316

LC16 Series utilizes a nickel-chromium-iron alloy bonnet seal.



Bulletin 4130-LC, 2M, KG, 05/03

© Copyright 2003, Parker Hannifin Corporation. All Rights Reserved.

Parker Hannifin Corporation
Instrumentation Valve Division
2651 Alabama Highway 21 North
Jacksonville, AL 36265-9681
Phone: (256) 435-2130
Fax: (256) 435-7718
www.parker.com/ivd