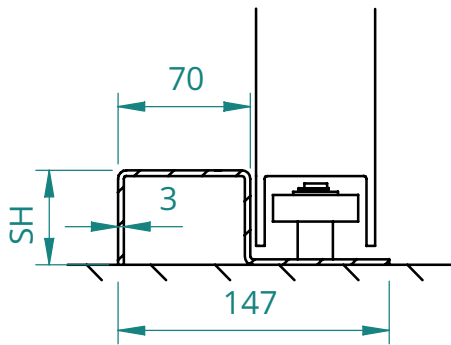
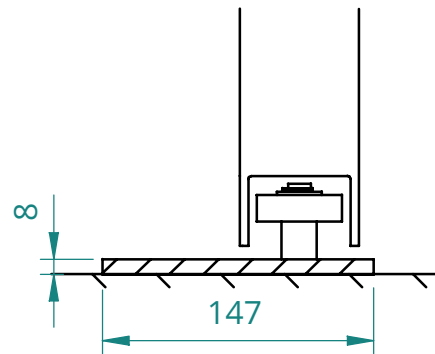


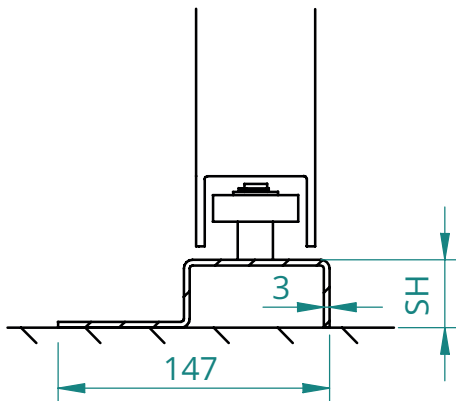
**NORMAL SILL**  
type: S10



**FLAT SILL**  
type: S5



**U SHAPED SILL**  
type: S11



SH = SILL HEIGHT