

TABLE 1 - HOUSING MATERIAL		
HOUSING CODE	MATERIAL	PRESSURE RATING
T	316/316L STAINLESS	6000 psi
L		10000 psi
G	17-4 STAINLESS	10000 psi
P		20000 psi

TABLE 2 - ELEMENT	
ELEMENT CODE	ELEMENT MEDIA
A	CELLULOSE
F	GLASS FIBER
G	316 WIRE MESH
P	316 SINTERED
R	316 RANDOM METAL FIBER

TABLE 3 - FITTING SIZE		
FITTING CODE	FITTING TYPE	HOUSING CODE
2P	1/8" NPT FEMALE	T, L, G
4P	1/4" NPT FEMALE	
6P	3/8" NPT FEMALE	T
8P	1/2" NPT FEMALE	T, L
4S	AS5202-4	
6S	AS5202-6	
8S	AS5202-8	
250 MP	1/4" MEDIUM PRESSURE*	L, G, P
375MP	3/8" MEDIUM PRESSURE*	
562MP	9/16" MEDIUM PRESSURE*	L, P

*See MP_Port drawing for dimensions

TABLE 4 - MICRON RATING				
ELEMENT MEDIA	'XX' CODE	RATING		ELEMENT CODE
		NOM	ABS	
WIRE MESH	2X	2	10	G
	02	2	12	
	05	5	18	
	10	10	25	
	20	20	40	
	40	40	75	
	75	75	100	
	100	100	200	
RMF*	1	-	1	R
	3	-	3	
	5	-	5	
	10	-	10	
	20	-	20	
	100	-	100	
GLASS FIBER	B1	-	1	F
	B3	-	3	
	B5	-	5	
	B10	-	10	
	B25	-	25	
CELLULOSE	03	3	-	A
	10	10	-	
	25	25	-	
ELEMENT MEDIA	'XX' CODE	RATING		ELEMENT CODE
		GAS ABS	LIQUID ABS	
SINTERED	0.2	0.2	1.4	P
	0.5	0.3	2.2	
	1	0.7	3.3	
	2	2	9	
	5	5	13	
	10	13	20	
	20	20	35	

*Initial efficiency for RMF elements is greater than 98% for all particle sizes

REVISIONS			
DRAWING REV.	DESCRIPTION	DATE	APPROVED
C	ECO 2476: ACCESSORY UPDATE	10/21/19	DJ
C1	ECO: 2814, O-ring P/N correction	3/12/20	JB
C2	ECO 2788: UPDATED TEFLON TO PTFE	6/19/20	TJ
C3	ECO 3181: ADDED MIN. WALL THICKNESS MEASUREMENTS	7/20/2020	CD

TABLE 5 - COLLAPSE RATING	
RATING CODE	RATING
D	4500 psi WIRE MESH
E	4500 psi RMF
A	300 psi GLASS FIBER
C	3250 psi GLASS FIBER
P	150 psi CELLULOSE
R	300 psi CELLULOSE
F	2000 psi 316 SINTERED

TABLE 6 - O-RING MATERIAL	
O-RING CODE	MATERIAL
M	PTFE
M1	PTFE per AMS 3678C-1-B
E	EPR
E1	V138-95
S	SILICONE
L	BUNA, 70 DUROMETER
K	BUNA, 90 DUROMETER
HNBR	HNBR
H	4079 KALREZ
N	VITON
MN	PTFE COATED VITON

TABLE 7 - OPTIONAL ACCESSORIES		
ACC. CODE	DESCRIPTION	HOUSING CODE
DR1	1/8"-27 NPT BOWL DRAIN	T, L, G
DR2	1/4"-18 NPT BOWL DRAIN	T, L, G
DRCT4	1/4" MP* BOWL DRAIN	L, G, P
EE	40 psid ELEC. SWITCH	L, G
R	50 psid BYPASS PORT	L, G
V	40 psid VISUAL INDICATOR	L, G
VR	VISUAL INDICATOR + BYPASS PORT	L, G
EER	ELEC. SWITCH + BYPASS PORT	L, G
S1	1/8"-27 NPT DP PORTS	T, L, G
S2	1/4"-18 NPT DP PORTS	T, L, G
S3	AS5202-02 (1/8" SAE) DP PORTS	L, G
S4	AS5202-04 (1/4" SAE) DP PORTS	L, G
SCT4	1/4" MP* DP PORTS	L, G, P

*See MP_Port drawing for dimensions

ASSEMBLY: U-115 - -

EXAMPLE: U-115 8P - 2X -

REPLACEMENT ELEMENT: U-115 -

EXAMPLE: U-115 - 2X



UNLESS OTHERWISE SPECIFIED DIMENSIONS ARE IN INCHES

TOLERANCES ON:
 2 PLACE DECIMAL: .XX +/-0.01
 3 PLACE DECIMAL: .XXX +/-0.005
 ANGULAR: +/- 0.5°

 PART TO BE FREE OF BURRS
 REMOVE SHARP EDGES (FILLET 0.005" - 0.020") MEASUREMENT NOT REQUIRED
 SURFACE FINISH 125 Ra UNLESS NOTED, VISUAL INSPECTION ONLY REQUIRED
 IF PART REVISION IS NOT SPECIFIED, PART REV. MATCHES DRAWING REV.
 NFC WORKMANSHIP STANDARD DMF01-24 APPLIES

TITLE: U-115 ASSEMBLY

PART NUMBER: TABULATED

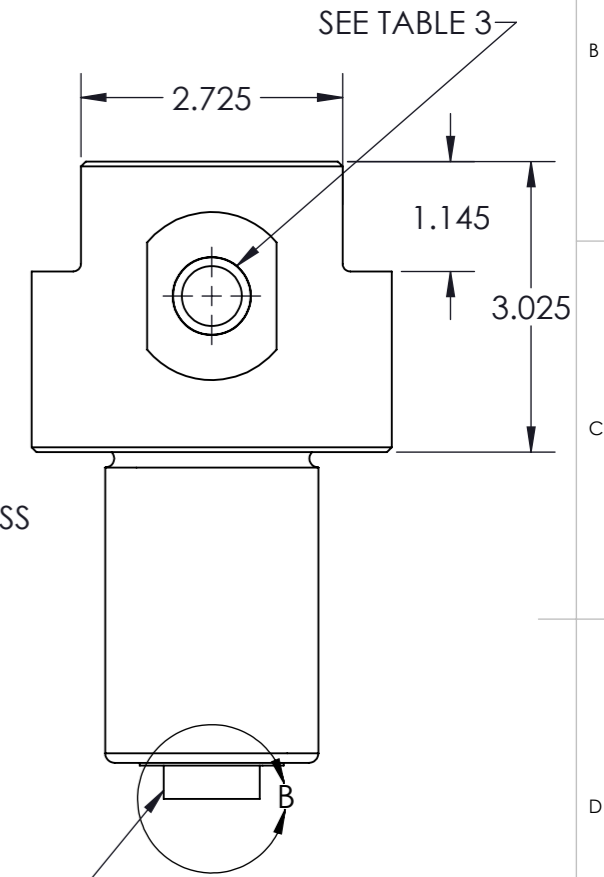
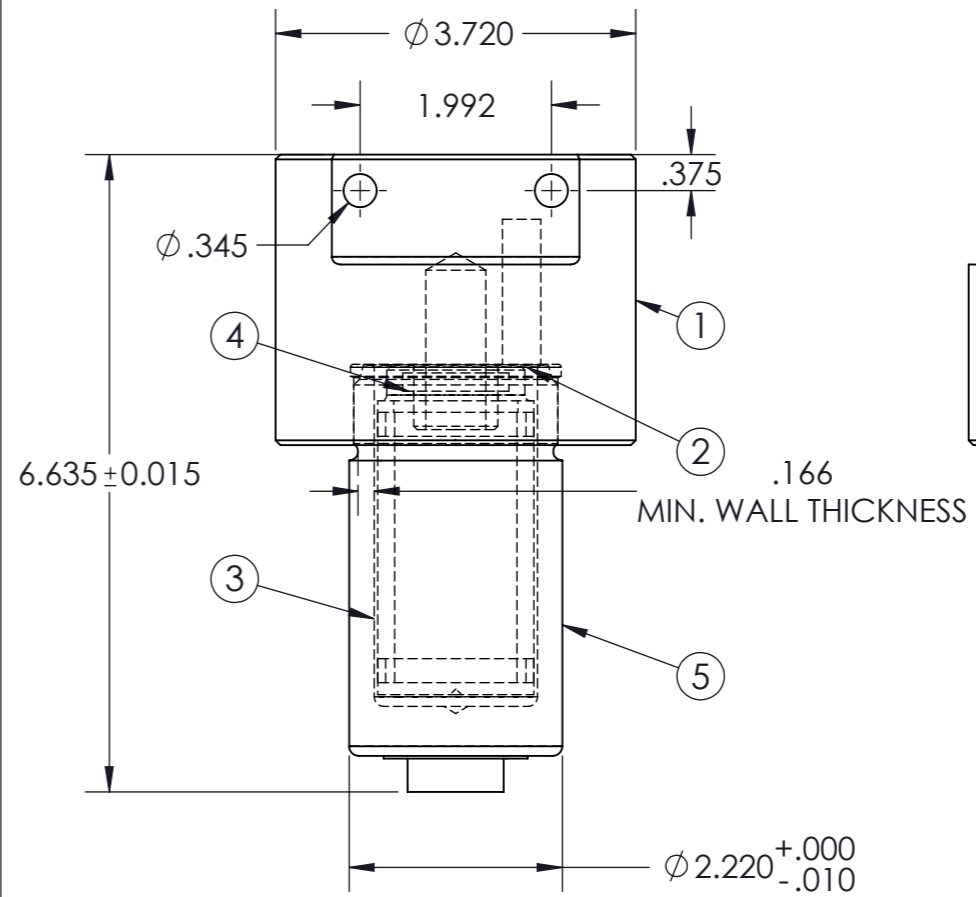
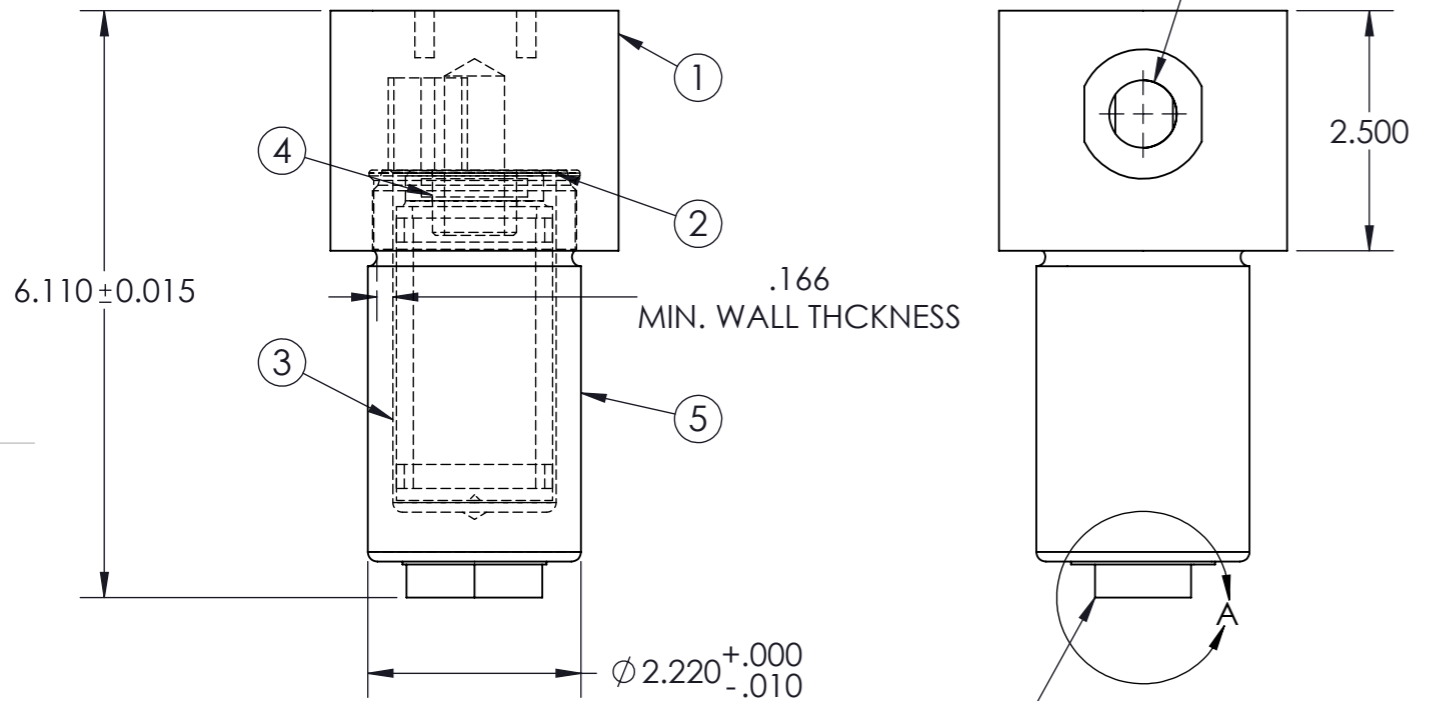
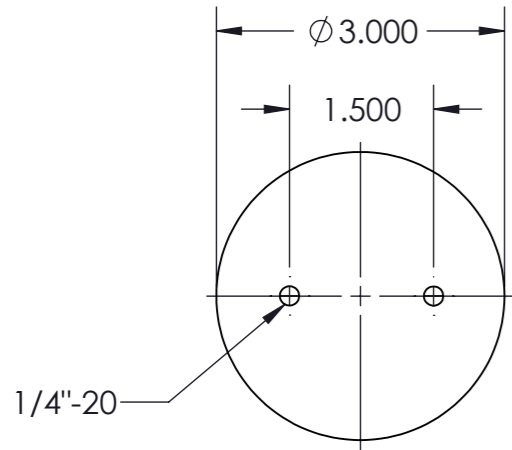
DWG NO. U-115

CAGE CODE 59165

SIZE A3

U-115T-6K

U-115L-10K



DRAIN PORT OPTION

SEE TABLE A

DRAIN PORT OPTION

SEE TABLE A

TABLE A - BOWL TYPE		
'DRX' DRAIN CODE	PORT TYPE	HOUSING CODE
DR1	1/8"-27 NPT	T, L, G
DR2	1/4"-18 NPT	
DRCT4	1/4" MEDIUM PRESSURE*	G, P

*See MP_Ports drawing for dimensions

UNLESS OTHERWISE SPECIFIED
DIMENSIONS ARE IN INCHES

TOLERANCES ON:
2 PLACE DECIMAL: .XX +/- 0.01
3 PLACE DECIMAL: .XXX +/- 0.005
ANGULAR: +/- 0.5°

PART TO BE FREE OF BURRS

REMOVE SHARP EDGES (FILLET 0.005" - 0.020") MEASUREMENT NOT REQUIRED
SURFACE FINISH 125 Ra UNLESS NOTED, VISUAL INSPECTION ONLY REQUIRED
IF PART REVISION IS NOT SPECIFIED, PART REV. MATCHES DRAWING REV.
NFC WORKMANSHIP STANDARD DMF01-24 APPLIES



TITLE: U-115 ASSEMBLY		DWG. REV: C3
PART NUMBER: TABULATED		CAGE CODE 59165
DWG. NO. U-115	SCALE: 1:2	SIZE A3

DO NOT SCALE DRAWING

SHEET 2 OF 5

U-115G-10K

U-115P-20K

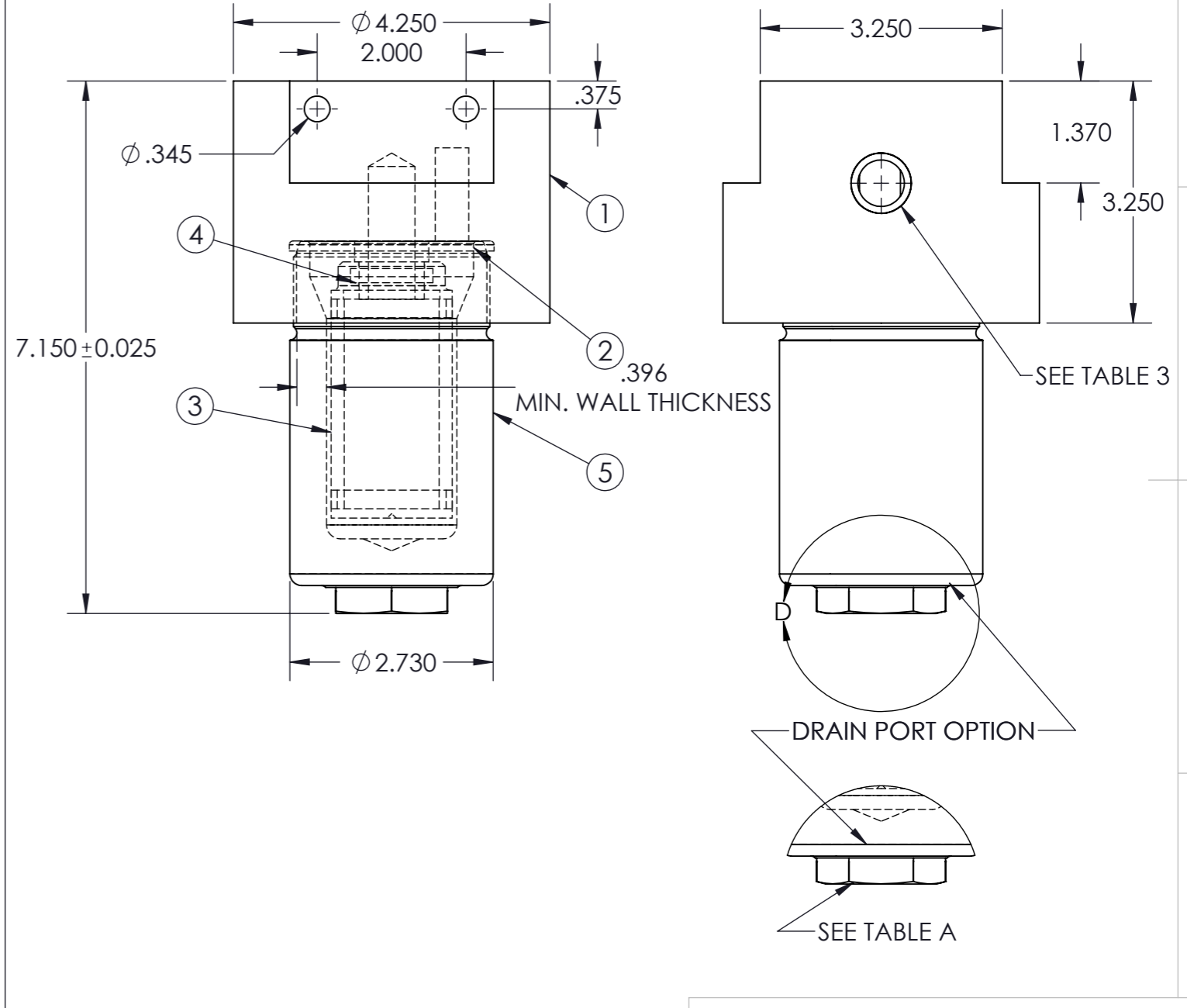
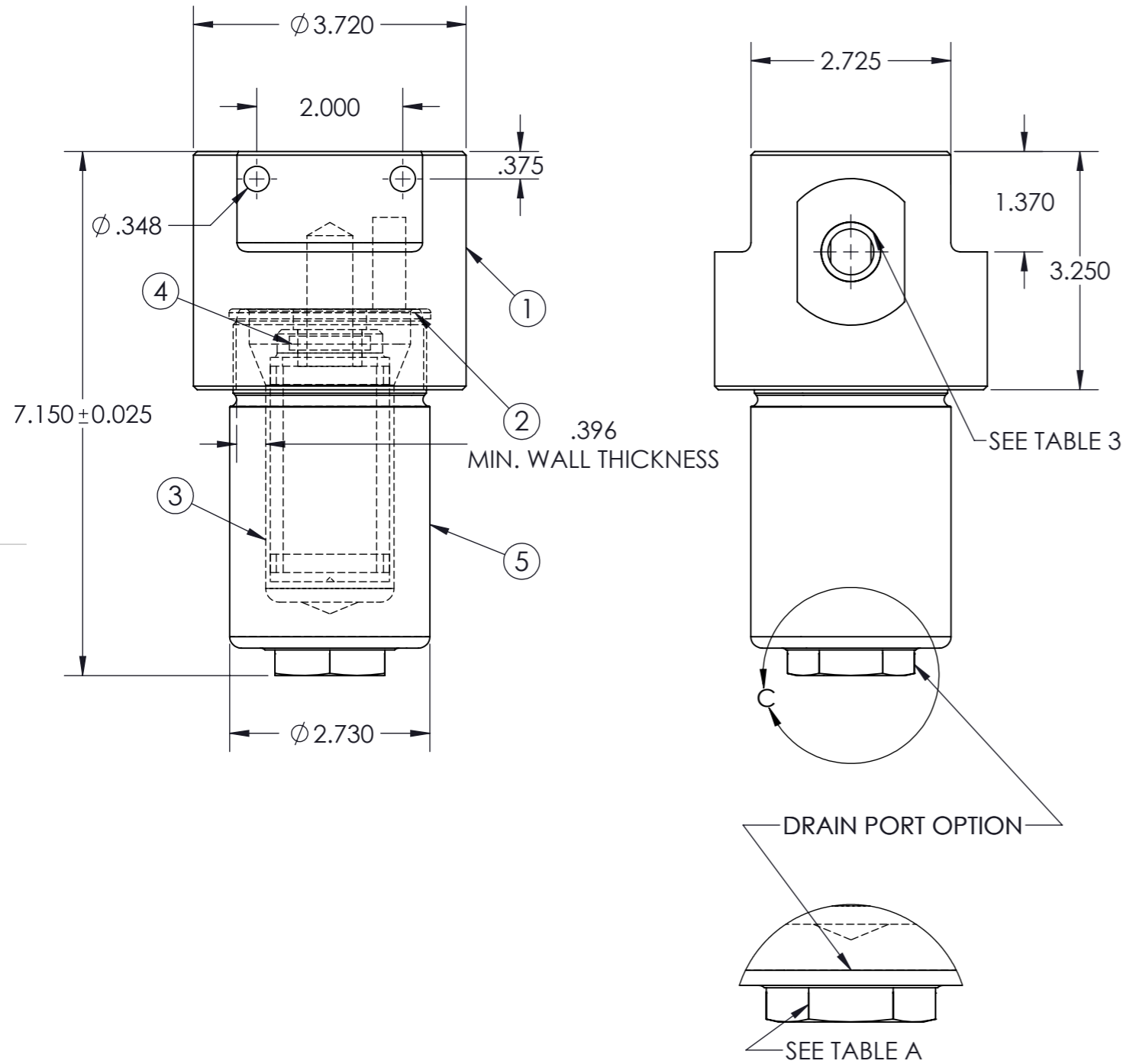


TABLE A - DRAIN PORT OPTIONS		
'DRX' DRAIN CODE	PORT TYPE	HOUSING CODE
DR1	1/8"-27 NPT	T, L, G
DR2	1/4"-18 NPT	
DRCT4	1/4" MEDIUM PRESSURE*	G, P

*See MP_Ports drawing for dimensions

UNLESS OTHERWISE SPECIFIED
DIMENSIONS ARE IN INCHES

TOLERANCES ON:
2 PLACE DECIMAL: .XX +/-0.01
3 PLACE DECIMAL: .XXX +/-0.005
ANGULAR: +/- 0.5°

PART TO BE FREE OF BURRS
REMOVE SHARP EDGES (FILLET 0.005" - 0.020") MEASUREMENT NOT REQUIRED
SURFACE FINISH 125 Ra UNLESS NOTED, VISUAL INSPECTION ONLY REQUIRED
IF PART REVISION IS NOT SPECIFIED, PART REV. MATCHES DRAWING REV.
NFC WORKMANSHIP STANDARD DMF01-24 APPLIES

NORMAN FILTERS
NORMAN FILTER COMPANY
 9850 SOUTH INDUSTRIAL DRIVE - BRIDGEVIEW, IL 60455
 PHONE (708)430-4000 - FAX (708)430-5961

TITLE: U-115 ASSEMBLY		DWG. REV: C3
PART NUMBER: TABULATED		CAGE CODE 59165
DWG. NO. U-115	SCALE:1:2	SIZE A3

DO NOT SCALE DRAWING

SHEET 3 OF 5

TABLE B - O-RING MATERIAL		
FILTER ASSEMBLY CODE	MATERIAL	O-RING PART # XX CODE
M	PTFE	01
M1	PTFE per AMS 3678C-1-B	02
E	EPR	03
E1	V138-95	04
S	SILICONE	05
L	BUNA, 70 DUROMETER	06
K	BUNA, 90 DUROMETER	07
HNBR	HNBR	15
H	4079 KALREZ	16
N	VITON	18
MN	PTFE COATED VITON	18-01

BILL OF MATERIALS							
ITEM #	DESCRIPTION	PART #				MATERIAL	QTY.
		T	L	G	P		
1	HEAD, FILTER	U-115T-6K	U-115L-10K	U-115G-10K	U-115P-20K	SHEET 1, TABLE 1	1
2	O-RING, HOUSING	5226XX	5226XX	5230XX	5230XX	SHEET 4, TABLE B	1
3	ELEMENT, FILTER	U-115X-XXX	U-115X-XXX	U-115X-XXX	U-115X-XXX	SHEET 1, REPLACEMENT ELEMENT	1
4	O-RING, ELEMENT	5212XX	5212XX	5212XX	5212XX	SHEET 4, TABLE B	1
5	BOWL, FILTER	U-115T-6K	U-115T-6K	U-115G-10K	U-115G-10K	SHEET 1, TABLE 1	1

EXAMPLE FROM SHEET 1 CONT. (U-115 GG8P2XDL-V)				
ITEM #	DESCRIPTION	PART #	MATERIAL	QTY.
1	HEAD, FILTER	U-115G-8P	SHEET 1, TABLES 1 AND 3	1
2	O-RING, HOUSING	523006	SHEET 4, TABLE B	1
3	ELEMENT, FILTER	U-115G-2XDL	SHEET 1, REPLACEMENT ELEMENT	1
4	O-RING, ELEMENT	521206	SHEET 4, TABLE B	1
5	BOWL, FILTER	U-115G-10K	SHEET 1, TABLE 1	1



UNLESS OTHERWISE SPECIFIED
DIMENSIONS ARE IN INCHES

TOLERANCES ON:
 2 PLACE DECIMAL: .XX +/-0.01
 3 PLACE DECIMAL: .XXX +/-0.005
 ANGULAR: +/- 0.5°

 PART TO BE FREE OF BURRS
 REMOVE SHARP EDGES (FILLET 0.005" - 0.020") MEASUREMENT NOT REQUIRED
 SURFACE FINISH 125 Ra UNLESS NOTED, VISUAL INSPECTION ONLY REQUIRED
 IF PART REVISION IS NOT SPECIFIED, PART REV. MATCHES DRAWING REV.
 NFC WORKMANSHIP STANDARD DMF01-24 APPLIES

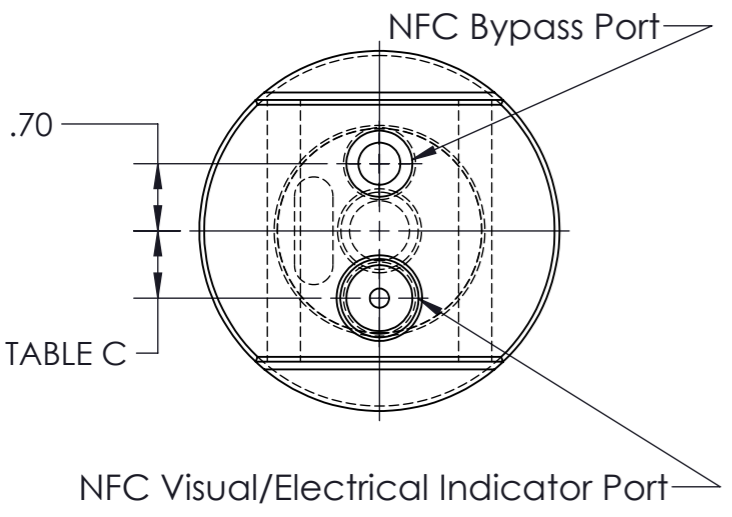
TITLE: U-115 ASSEMBLY		DWG. REV: C3
PART NUMBER: TABULATED		SIZE A3
DWG NO. U-115	CAGE CODE 59165	

DO NOT SCALE DRAWING

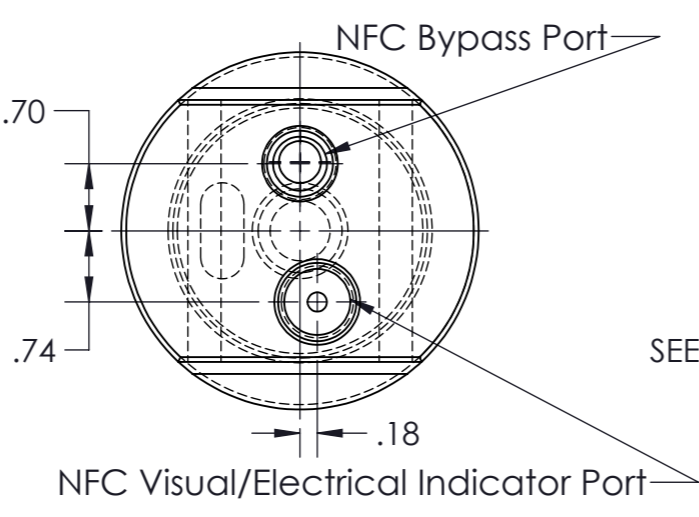
SCALE:1:16

SHEET 4 OF 5

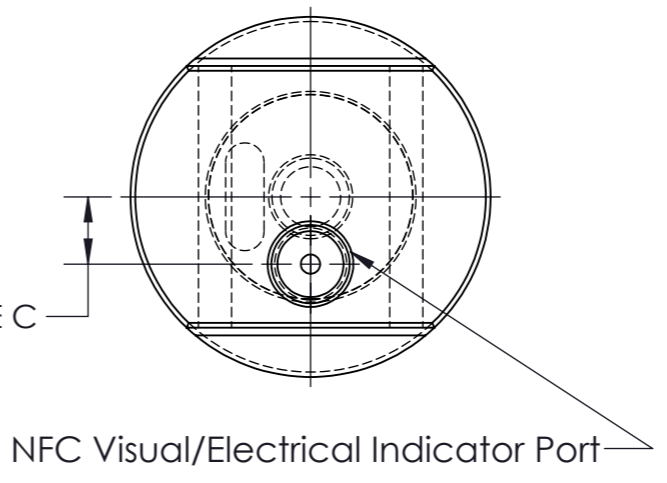
**#1 Visual/Electrical Indicator and Bypass Ports
Housings L and P**



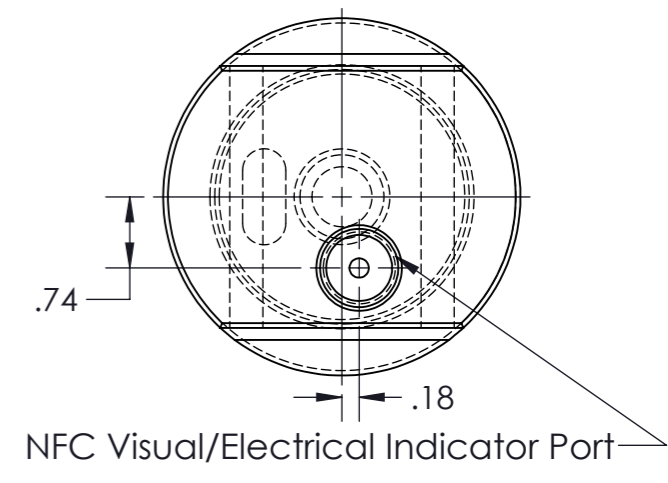
Housing G



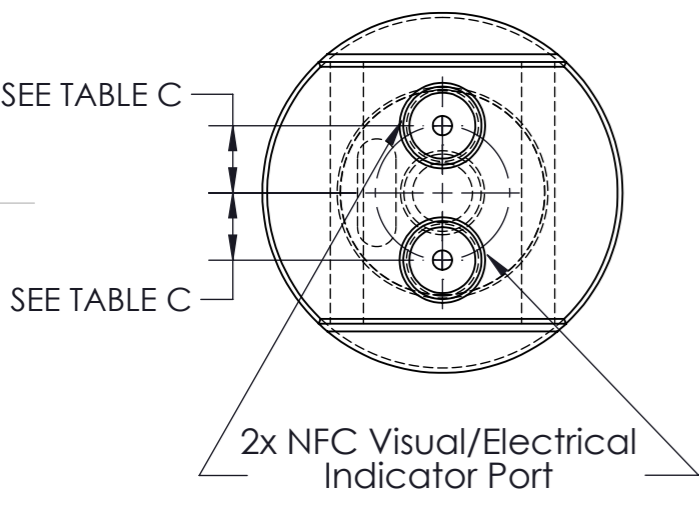
**#2 Visual/Electrical Indicator Port
Housings L and P**



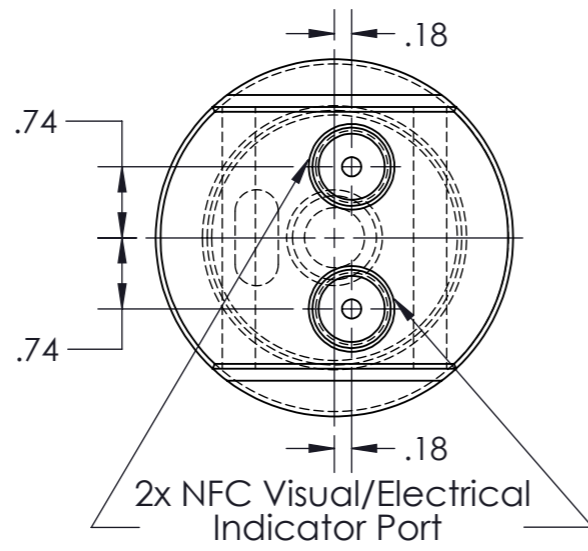
Housing G



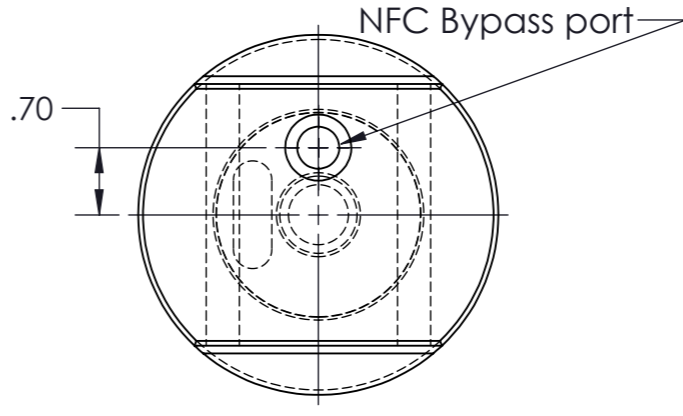
**#3 Visual and Visual Indicator Ports
Housings L and P**



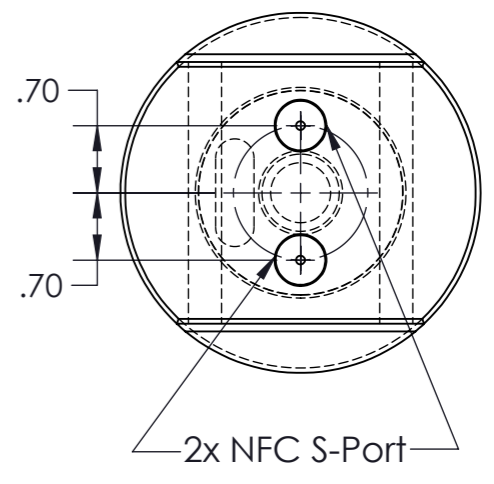
Housing G



**#4 Bypass Port
Housings L, G, and P**



**#5 S-Port
All housings**



HOUSING	DISTANCE
L	0.70
P	0.85

P/N	P/N SUFFIX(ES)	DESCRIPTION	TOP VIEW FIGURE #	HOUSING
U115Y-XX	NVR	Visual/Electrical Indicator and Bypass Ports	1	L, G, P
	NV	Visual/Electrical Indicator Ports	2	
	NV-NV	Visual and Visual Indicator	3	
	R	Bypass Port	4	T, L, G
	S	S-Ports	5	

UNLESS OTHERWISE SPECIFIED
DIMENSIONS ARE IN INCHES

TOLERANCES ON:
2 PLACE DECIMAL: .XX +/-0.01
3 PLACE DECIMAL: .XXX +/-0.005
ANGULAR: +/- 0.5°

PART TO BE FREE OF BURRS

REMOVE SHARP EDGES (FILLET 0.005" - 0.020") MEASUREMENT NOT REQUIRED
SURFACE FINISH 125 Ra UNLESS NOTED, VISUAL INSPECTION ONLY REQUIRED
IF PART REVISION IS NOT SPECIFIED, PART REV. MATCHES DRAWING REV.
NFC WORKMANSHIP STANDARD DMF01-24 APPLIES

NORMAN FILTERS
NORMAN FILTER COMPANY
9850 SOUTH INDUSTRIAL DRIVE - BRIDGEVIEW, IL 60455
PHONE (708)430-4000 - FAX (708)430-5961

TITLE: U-115 ASSEMBLY

PART NUMBER: TABULATED

DWG NO. U-115

CAGE CODE 59165

SIZE A3

SCALE:1:2

SHEET 5 OF 5

DO NOT SCALE DRAWING